

HCD-BX6AV/DX6AV

SERVICE MANUAL


Ver 1.1 2001.07



Photo: HCD-BX6AV

US Model
Canadian Model
AEP Model
UK Model
HCD-BX6AV
E Model
Australian Model
HCD-DX6AV

HCD-BX6AV/DX6AV is the Amplifier, CD player, Tape player and Tuner section in MHC-BX6AV/DX6AV.

Manufactured under license from Dolby Laboratories Licensing Corporation. Additionally licensed under Canadian patent 1,037,877. "Dolby", the double-D symbol  and "PRO LOGIC" are trademarks of Dolby Laboratories Licensing Corporation.

CD Section	Model Name Using Similar Mechanism	HCD-BX2/DX2
	CD Mechanism Type	EXL-M7
	Optical Pick-up Name	OPTIMA-7
Tape deck Section	Model Name Using Similar Mechanism	HCD-RXD6AV
	Tape Transport Mechanism Type	CWL-44-RR

SPECIFICATIONS

AUDIO POWER SPECIFICATIONS: (US model only)

POWER OUTPUT AND TOTAL HARMONIC DISTORTION:
with 6 ohm loads both channels driven, from 120-10,000 Hz; rates 10 watts per channel minimum RMS power, with no more than 10% total harmonic distortion from 250 milliwatts to rated output.

Amplifier section

US model

Center Speaker:
Continuous RMS power output (reference)
40 watts
(6 ohms at 1 kHz,
10% THD)

Rear Speaker:
Continuous RMS power output (reference)
40 + 40 watts
(6 ohms at 1 kHz,
10% THD)

Canadian model

Front Speaker:
Continuous RMS power output (reference)
60 + 60 watts
(6 ohms at 1 kHz,
10% THD)

Total harmonics distortion
Less than 0.07%
(6 ohms at 1 kHz, 30 W)

Center Speaker:
Continuous RMS power output (reference)
40 watts
(6 ohms at 1 kHz,
10% THD)

Rear Speaker:
Continuous RMS power output (reference)
40 + 40 watts
(6 ohms at 1 kHz,
10% THD)

AEP, UK models

Front Speaker:
DIN power output (rated) 40 + 40 watts
(6 ohms at 1 kHz, DIN)

Continuous RMS power output (reference)
50 + 50 watts
(6 ohms at 1 kHz,
10% THD)

Music power output (reference)
100 + 100 watts
(6 ohms at 1 kHz,
10% THD)

Center Speaker:
DIN power output (rated) 25 watts
(6 ohms at 1 kHz, DIN)

Continuous RMS power output (reference)
35 watts
(6 ohms at 1 kHz,
10% THD)

Music power output (reference)
70 watts
(6 ohms at 1 kHz,
10% THD)

Rear Speaker:
DIN power output (rated) 25 + 25 watts
(6 ohms at 1 kHz, DIN)

Continuous RMS power output (reference)
35 + 35 watts
(6 ohms at 1 kHz,
10% THD)

Music power output (reference)
70 + 70 watts
(6 ohms at 1 kHz,
10% THD)

Other models:
The following measured at AC 120/240 V,
50/60 Hz

Front Speaker:
DIN power output (rated) 45 + 45 watts
(6 ohms at 1 kHz, DIN)

Continuous RMS power output (reference)
60 + 60 watts
(6 ohms at 1 kHz,
10% THD)

Center Speaker:
DIN power output (rated) 30 watts
(6 ohms at 1 kHz, DIN)

Continuous RMS power output (reference)
40 watts
(8 ohms at 1 kHz,
10% THD)

Rear Speaker:
DIN power output (rated) 30 + 30 watts
(6 ohms at 1 kHz, DIN)

Continuous RMS power output (reference)
40 + 40 watts
(6 ohms at 1 kHz,
10% THD)

Inputs
MD/VIDEO IN:
(phono jacks)
voltage 250/450 mV,
impedance 47 kilohms

DVD INPUT:
FRONT IN:
(phono jacks)
voltage 450 mV,
impedance 47 kilohms
REAR IN:
(phono jacks)
voltage 450 mV,
impedance 47 kilohms
CENTER IN:
(phono jacks)
voltage 450 mV,
impedance 47 kilohms
WOOFER IN:
(phono jacks)
voltage 450 mV,
impedance 47 kilohms

Outputs
PHONES:
(stereo mini jack)
accepts headphones of
8 ohms or more

FRONT SPEAKER:
accepts impedance of 6 to
16 ohms

REAR SPEAKER:
accepts impedance of 6 to
16 ohms

CENTER SPEAKER:
accepts impedance of 6 to
16 ohms

WOOFER:
Voltage 1 V, impedance
1 kilohms

CD player section
System
Compact disc and digital
audio system
Semiconductor laser
($\lambda=780\text{nm}$)
Emission duration:
continuous
Laser output
Max. 44.6 μW^*
*This output is the value
measured at a distance of
200 mm from the
objective lens surface on
the Optical Pick-up Block
with 7 mm aperture.

– Continued on next page –

COMPACT DISC DECK RECEIVER

SONY®

9-929-250-12
2001G0500-1
© 2001.7

Sony Corporation
Home Audio Company
Shinagawa Tec Service Manual Production Group

Wavelength	780 – 790 nm
Frequency response	20 Hz – 20 kHz (±0.5 dB)
Signal-to-noise ratio	More than 90 dB
Dynamic range	More than 90 dB
CD OPTICAL DIGITAL OUT (Square optical connector jack, rear panel)	
Wavelength	660 nm
Output Level	-18 dBm

Tape player section

Recording system	4-track 2-channel stereo
Frequency response	40 – 13,000 Hz (±3 dB), using Sony TYPE I cassette

Tuner section

FM stereo, FM/AM superheterodyne tuner

FM tuner section

Tuning range	87.5 – 108.0 MHz
Antenna	FM lead antenna
Antenna terminals	75 ohm unbalanced
Intermediate frequency	10.7 MHz

AM tuner section

Tuning range	530 – 1,710 kHz
US, Canadian models:	(with the interval set at 10 kHz) 531 – 1,710 kHz (with the interval set at 9 kHz)
AEP, UK and Middle Eastern models:	531 – 1,602 kHz (with the interval set at 9 kHz)
Other models:	531 – 1,602 kHz (with the interval set at 9 kHz) 530 – 1,710 kHz (with the interval set at 10 kHz)
Antenna	AM loop antenna
Antenna terminals	External antenna terminal
Intermediate frequency	450 kHz

General

Power requirements	
US, Canadian models:	120 V AC, 60 Hz
AEP, UK models:	230 V AC, 50/60 Hz
Australian model:	220 – 240 V AC, 50/60 Hz
Mexican model:	120 V AC, 60 Hz
Other models:	110 – 120 V or 220 – 240 V AC, 50/ 60 Hz Adjustable with voltage selector

Power consumption	
US model:	160 watts
Canadian model:	180 watts
AEP, UK models:	160 watts
Other models:	160 watts

Dimensions (w/h/d)	Approx. 280 x 325 x 390 mm
--------------------	----------------------------

Mass	
US model:	Approx. 9.2 kg
Canadian model:	Approx. 9.2 kg
AEP, UK models:	Approx. 9.2 kg
Other model:	Approx. 9.1 kg

Supplied accessories:	AM loop antenna (1) FM lead antenna (1) Remote Commander (1) Speaker cords (2) Center speaker pads (4)
-----------------------	--

Design and specifications are subject to change without notice.

SAFETY-RELATED COMPONENT WARNING!!

COMPONENTS IDENTIFIED BY MARK \triangle OR DOTTED LINE WITH MARK \triangle ON THE SCHEMATIC DIAGRAMS AND IN THE PARTS LIST ARE CRITICAL TO SAFE OPERATION. REPLACE THESE COMPONENTS WITH SONY PARTS WHOSE PART NUMBERS APPEAR AS SHOWN IN THIS MANUAL OR IN SUPPLEMENTS PUBLISHED BY SONY.

ATTENTION AU COMPOSANT AYANT RAPPORT À LA SÉCURITÉ!

LES COMPOSANTS IDENTIFIÉS PAR UNE MARQUE \triangle SUR LES DIAGRAMMES SCHÉMATIQUES ET LA LISTE DES PIÈCES SONT CRITIQUES POUR LA SÉCURITÉ DE FONCTIONNEMENT. NE REMPLACER CES COMPOSANTS QUE PAR DES PIÈCES SONY DONT LES NUMÉROS SONT DONNÉS DANS CE MANUEL OU DANS LES SUPPLÉMENTS PUBLIÉS PAR SONY.

TABLE OF CONTENTS

1. SERVICING NOTES	3
2. GENERAL	
Location of Controls	4
Setting the Time	5
3. DISASSEMBLY	6
4. DIAGRAMS	
4-1. Note for Printed Wiring Boards and Schematic Diagrams	11
4-2. Schematic Diagram – CD Section (1/4) –	12
4-3. Schematic Diagram – CD Section (2/4) –	13
4-4. Schematic Diagram – CD Section (3/4) –	14
4-5. Schematic Diagram – CD Section (4/4) –	15
4-6. Printed Wiring Boards – CD Section –	16
4-7. Printed Wiring Boards – MAIN Section –	17
4-8. Schematic Diagram – MAIN Section (1/4) –	18
4-9. Schematic Diagram – MAIN Section (2/4) –	19
4-10. Schematic Diagram – MAIN Section (3/4) –	20
4-11. Schematic Diagram – MAIN Section (4/4) –	21
4-12. Printed Wiring Boards – PANEL Section –	22
4-13. Schematic Diagram – PANEL Section –	23
4-14. Printed Wiring Boards – AMP/POWER SUPPLY Section –	24
4-15. Schematic Diagram – FRONT AMP Section –	25
4-16. Schematic Diagram – CENTER/REAR AMP Section –	26
4-17. Schematic Diagram – POWER SUPPLY Section –	27
5. EXPLODED VIEWS	33
6. ELECTRICAL PARTS LIST	39

Notes on chip component replacement

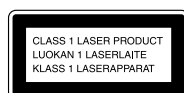
- Never reuse a disconnected chip component.
- Notice that the minus side of a tantalum capacitor may be damaged by heat.

Flexible Circuit Board Repairing

- Keep the temperature of the soldering iron around 270 °C during repairing.
- Do not touch the soldering iron on the same conductor of the circuit board (within 3 times).
- Be careful not to apply force on the conductor when soldering or unsoldering.

CAUTION

Use of controls or adjustments or performance of procedures other than those specified herein may result in hazardous radiation exposure.



This appliance is classified as a CLASS 1 LASER product. The CLASS 1 LASER PRODUCT MARKING is located on the rear exterior.

SECTION 1 SERVICING NOTES

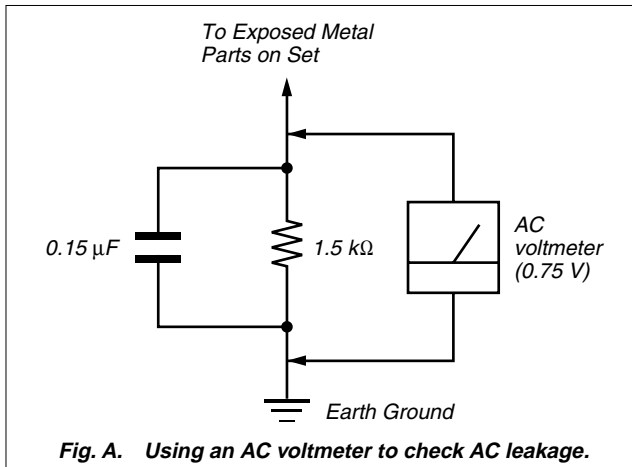
SAFETY CHECK-OUT

After correcting the original service problem, perform the following safety check before releasing the set to the customer: Check the antenna terminals, metal trim, "metallized" knobs, screws, and all other exposed metal parts for AC leakage. Check leakage as described below.

LEAKAGE TEST

The AC leakage from any exposed metal part to earth ground and from all exposed metal parts to any exposed metal part having a return to chassis, must not exceed 0.5 mA (500 microamperes.). Leakage current can be measured by any one of three methods.

1. A commercial leakage tester, such as the Simpson 229 or RCA WT-540A. Follow the manufacturers' instructions to use these instruments.
2. A battery-operated AC milliammeter. The Data Precision 245 digital multimeter is suitable for this job.
3. Measuring the voltage drop across a resistor by means of a VOM or battery-operated AC voltmeter. The "limit" indication is 0.75 V, so analog meters must have an accurate low-voltage scale. The Simpson 250 and Sanwa SH-63Trd are examples of a passive VOM that is suitable. Nearly all battery operated digital multimeters that have a 2 V AC range are suitable. (See Fig. A)



The following caution label is located inside the unit.

CAUTION : INVISIBLE LASER RADIATION WHEN OPEN AND INTERLOCKS DEFEATED. AVOID EXPOSURE TO BEAM.

ADVARSEL : USYNLIG LASERSTRÅLING VED ÅBNING NÅR SIKKERHEDSAFBRYDERE ER UDE AF FUNKTION. UNDGÅ UDSÆTTELSE FOR STRÅLING.

VORSICHT : UNSICHTBARE LASERSTRÄHLUNG, WENN ABDECKUNG GEÖFFNET UND SICHERHEITSPERRRIEGELUNG ÜBERBRÜCKT. NICHT DEM STRAHL AUSSETZEN.

VARO! : AVATTAESSA JA SUOJALUKITUS OHTETTAESSA OLET ALTIINA NÄKYMÄTTÖMÄLLE LASERSÄTEILYLLE. ÄLÄ KATSO SÄTEESEEN.

WARNING : OSYNLIG LASERSTRÅLING NÅR DENNA DEL ÅR ÖPPNAD OCH SPÄRREN ÅR URKOPPLAD. BETRÄKTA EJ STRÅLEN.

ADVERSEL : USYNLIG LASERSTRÅLING NÅR DEKSEL ÅPNES OG SIKKERHEDSLÅS BRYTES. UNNGÅ EKSPONERING FOR STRÅLEN.

VIGYAZAT! : A BURKOLAT NYITÁSÁKOR LÁTHATATLAN LÉZERSUGÁRVESZÉLY! KERÜLJE A BESUGÁRZÁST!

<p>DANGER INVISIBLE LASER RADIATION WHEN OPEN AND INTERLOCK DEFEATED. AVOID DIRECT EXPOSURE TO BEAM.</p>	<p>DANGER RADIATION DE LESER INVISIBLE LORS D'OUVERTURE. AVEC L'ENCLENCHEMENT DE SECURITE ANNULE. EVITER L'EXPOSITION DIRECTE AU RAYON.</p>
---	--

NOTES ON HANDLING THE OPTICAL PICK-UP BLOCK OR BASE UNIT

The laser diode in the optical pick-up block may suffer electrostatic break-down because of the potential difference generated by the charged electrostatic load, etc. on clothing and the human body.

During repair, pay attention to electrostatic break-down and also use the procedure in the printed matter which is included in the repair parts.

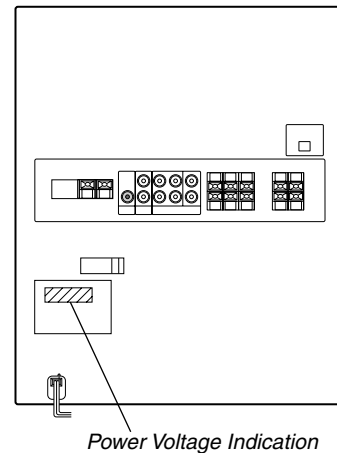
The flexible board is easily damaged and should be handled with care.

NOTES ON LASER DIODE EMISSION CHECK

The laser beam on this model is concentrated so as to be focused on the disc reflective surface by the objective lens in the optical pick-up block. Therefore, when checking the laser diode emission, observe from more than 30 cm away from the objective lens.

• MODEL IDENTIFICATION

– Rear Panel –

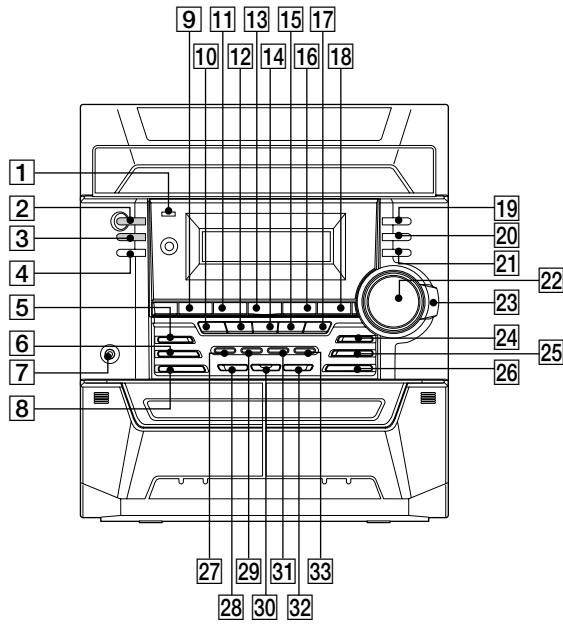


Model	Power Voltage Indication
US model	AC: 120 V ~ 60 Hz 160 W
Canadian model	AC: 120 V ~ 60 Hz 180 W
AEP, UK models	AC: 230 V ~ 50/60 Hz 160 W
Australian model	AC: 220 – 240 V ~ 50/60 Hz 160 W
Mexican model	AC: 120 V ~ 50/60 Hz 160 W
Other models	AC: 110 – 120 V/220 – 240 V ~ 50/60 Hz 160 W

SECTION 2 GENERAL

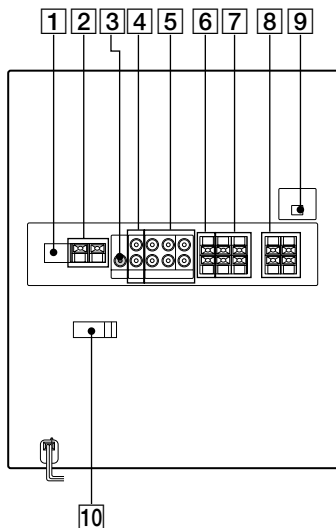
• LOCATION OF CONTROLS

– Front View –



- | | |
|---|--|
| <p>1 TIMER indicator</p> <p>2 I/⏻ button and indicator</p> <p>3 DISPLAY button</p> <p>4 SPECTRUM button</p> <p>5 GROOVE button and indicator</p> <p>6 FILE SELECT button</p> <p>7 PHONES jack</p> <p>8 ENTER button</p> <p>9 –, ◀◀ button</p> <p>10 DISC SKIP EX-CHANGE button</p> <p>11 ■ button</p> <p>12 DISC 1 button</p> <p>13 ◀ ▶ button and indicator</p> <p>14 DISC 2 button</p> <p>15 DISC 3 button</p> <p>16 ■■ button</p> <p>17 ▲ OPEN/CLOSE button</p> <p>18 ▶▶, + button</p> | <p>19 PLAY MODE, DIRECTION button
(US, Canadian, E, Australian models)
PLAY MODE, PTY/DIRECTION button
(AEP, UK models)</p> <p>20 REPEAT, STEREO/MONO button</p> <p>21 EDIT, TUNER MEMORY button</p> <p>22 VOLUME knob</p> <p>23 ◀◀ ▶▶ button</p> <p>24 REC button and indicator</p> <p>25 REC PAUSE button and indicator</p> <p>26 CD SYNC button</p> <p>27 MD (VIDEO) button and indicator</p> <p>28 DOLBY PRO LOGIC button and indicator</p> <p>29 TAPE A/B button and indicator</p> <p>30 DVD 5.1CH button and indicator</p> <p>31 CD button and indicator</p> <p>32 DSP button and indicator</p> <p>33 TUNER/BAND button and indicator</p> |
|---|--|

– Rear View –



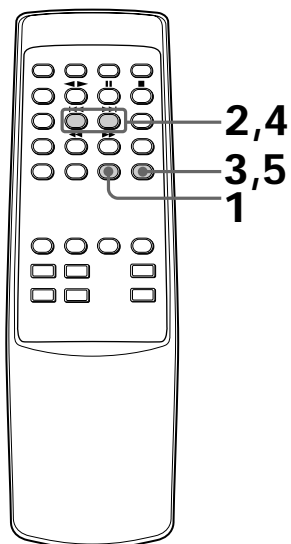
- | |
|---|
| <p>1 FM ANTENNA jack or terminals</p> <p>2 AM ANTENNA terminals</p> <p>3 WOOFER OUT jack</p> <p>4 MD/VIDEO IN jacks</p> <p>5 DVD INPUT jacks</p> <p>6 CENTER SPEAKER terminals</p> <p>7 REAR SPEAKER terminals</p> <p>8 FRONT SPEAKER terminals</p> <p>9 CD DIGITAL OUT (OPTICAL) connector</p> <p>10 VOLTAGE SELECTOR switch (E model)</p> |
|---|

Step 3: Setting the time

You must set the time before using the timer functions.

The clock uses a 24-hour system on the European model, and a 12-hour system on other models.

The 12-hour system is used for illustration purposes.



- 1 Press **CLOCK/TIMER SET**.
The hour indication flashes.



- 2 Press **◀** or **▶** repeatedly to set the hour.



- 3 Press **ENTER**.
The minute indication flashes.



- 4 Press **◀** or **▶** repeatedly to set the minute.

- 5 Press **ENTER**.
The clock starts working.

Tip

If you make a mistake, start over from step 1.

To change the time

The previous explanation shows how to set the time while the power is off. To change the time while the power is on, do the following:

- 1 Press **CLOCK/TIMER SET**.
- 2 Press **◀** or **▶** repeatedly to select **SET CLOCK**.
- 3 Press **ENTER**.
- 4 Perform steps 2 through 5 above.

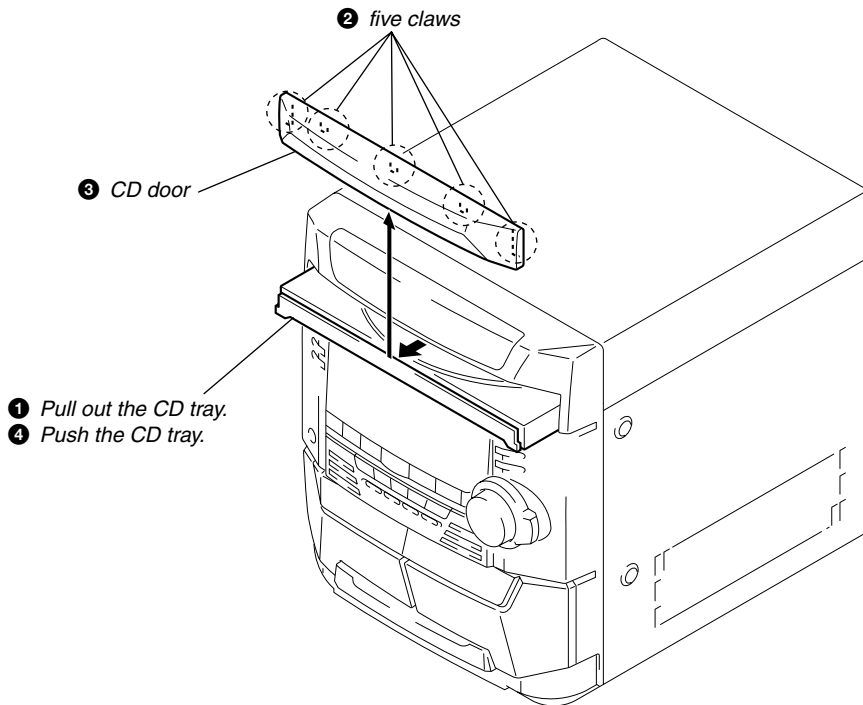
Notes

- The clock settings are canceled when you disconnect the power cord or if a power failure occurs.
- For MHC-BX6AV, you cannot set the time in the Power Saving Mode (see page 12).

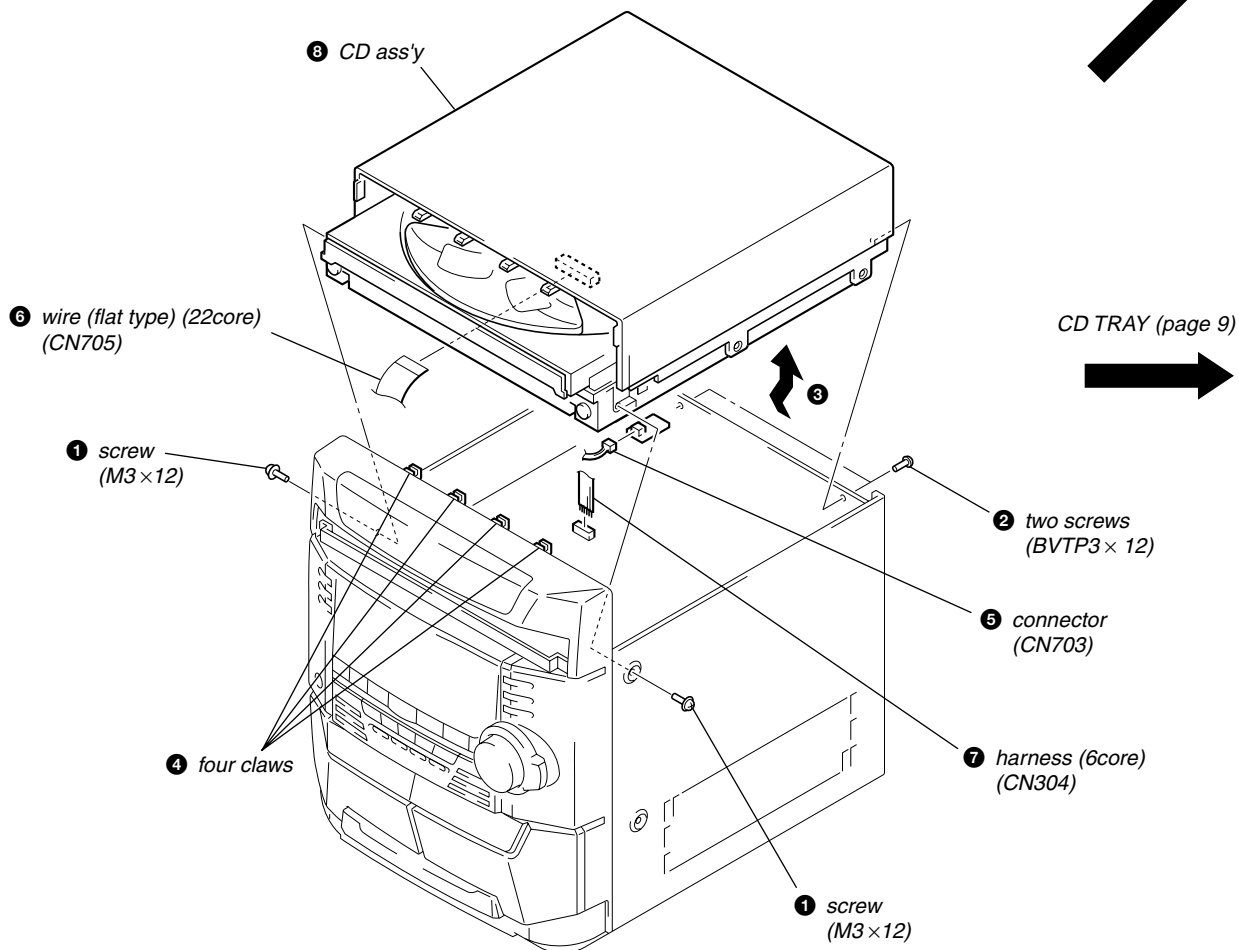
SECTION 3 DISASSEMBLY

Note: Follow the disassembly procedure in the numerical order given.

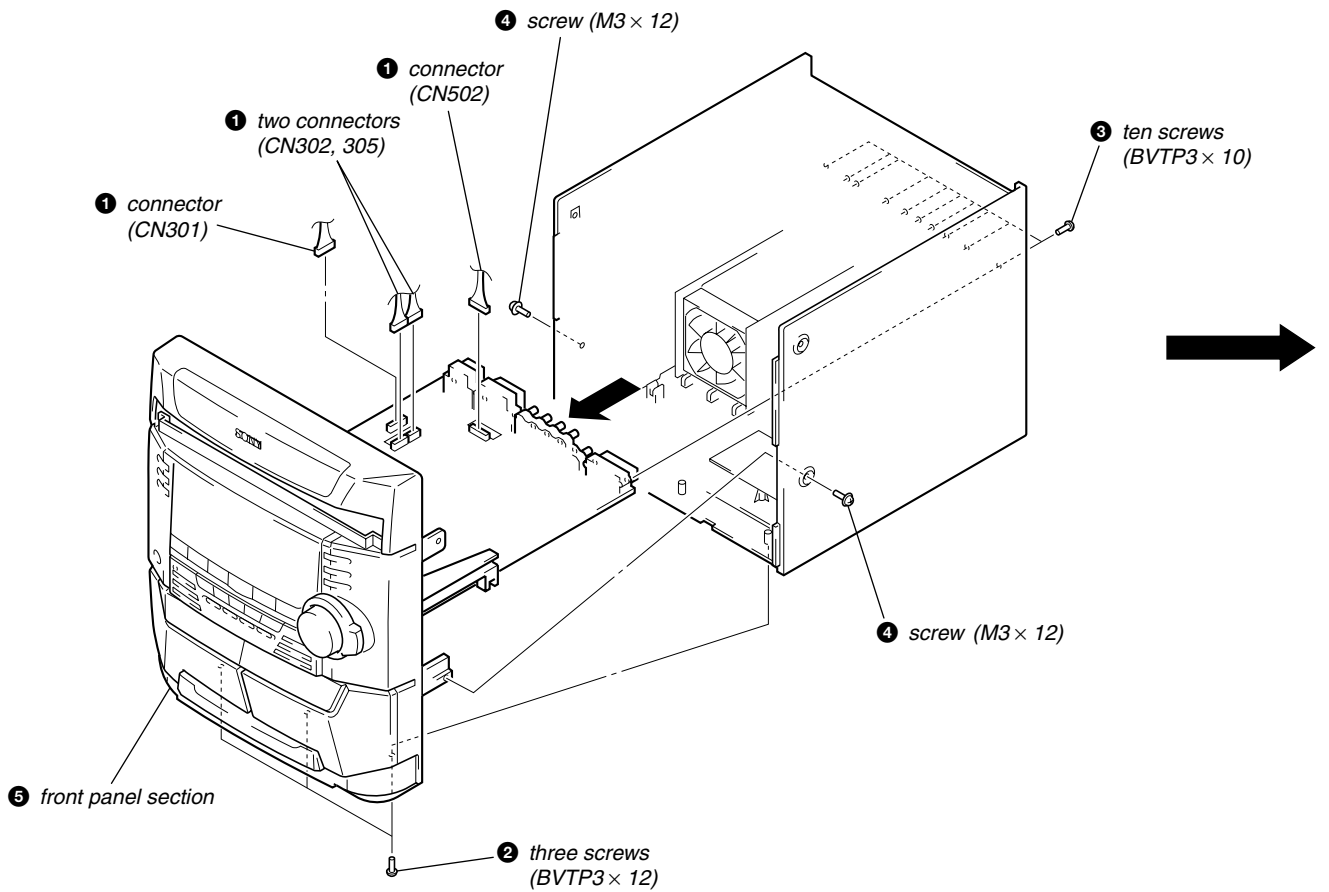
CD DOOR



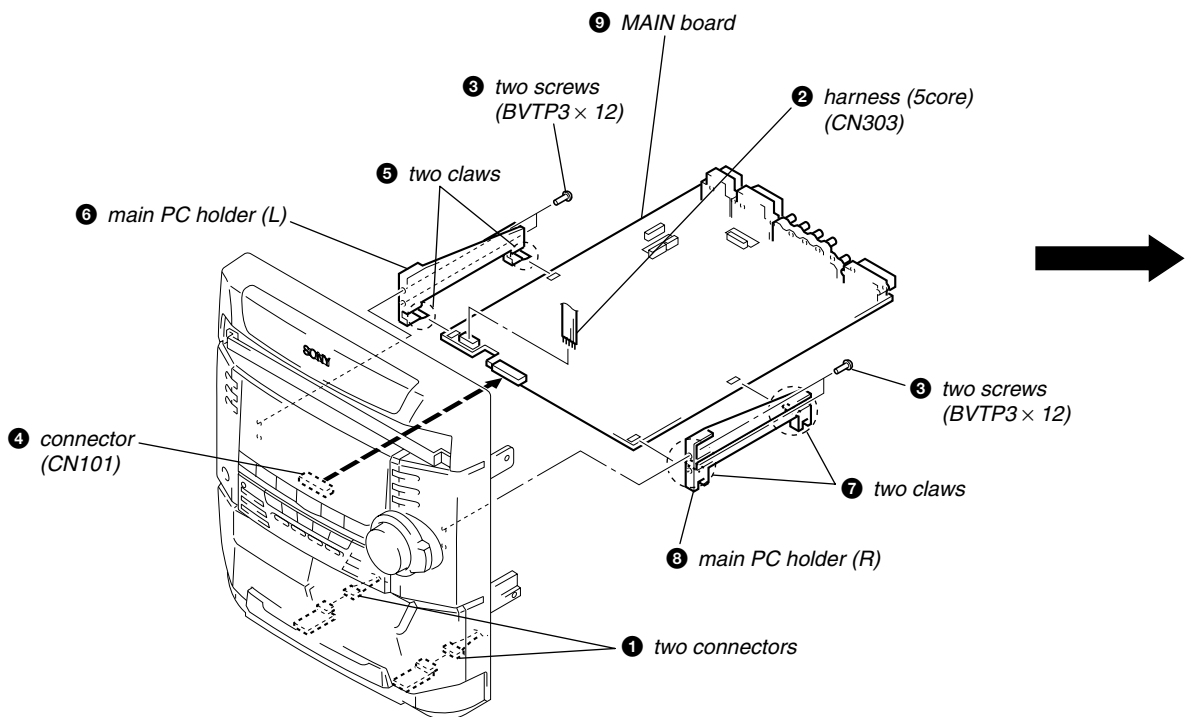
CD ASS'Y



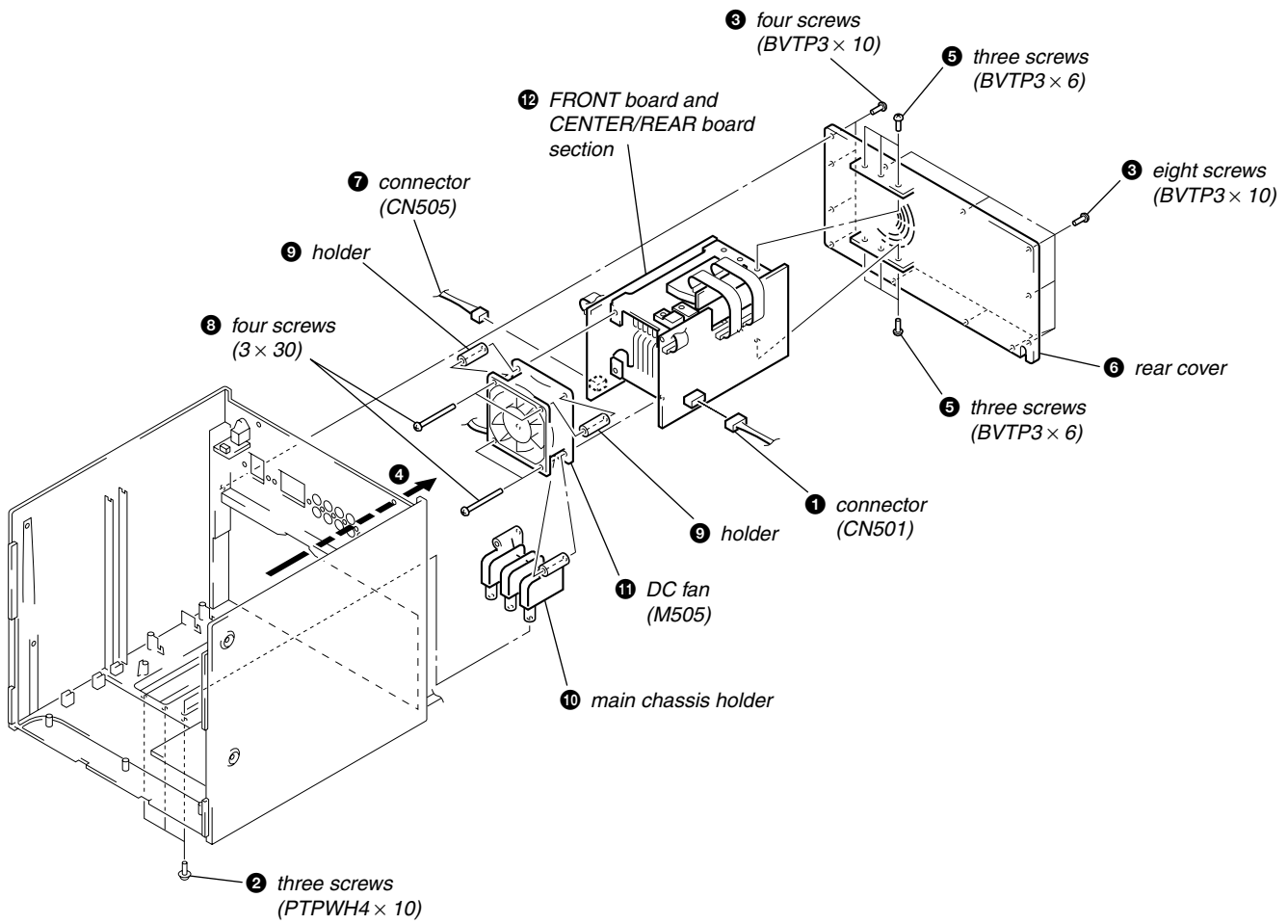
FRONT PANEL SECTION



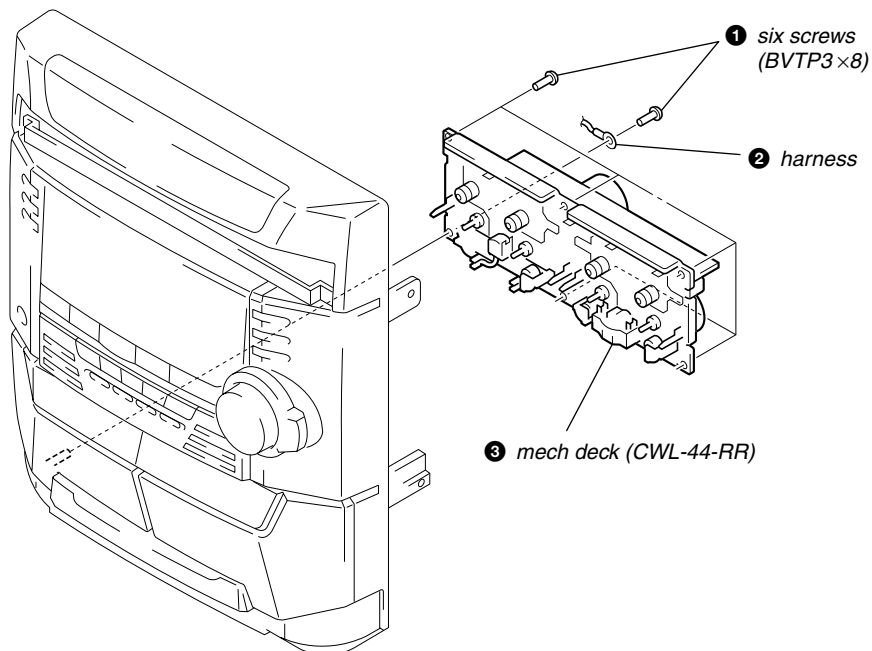
MAIN BOARD



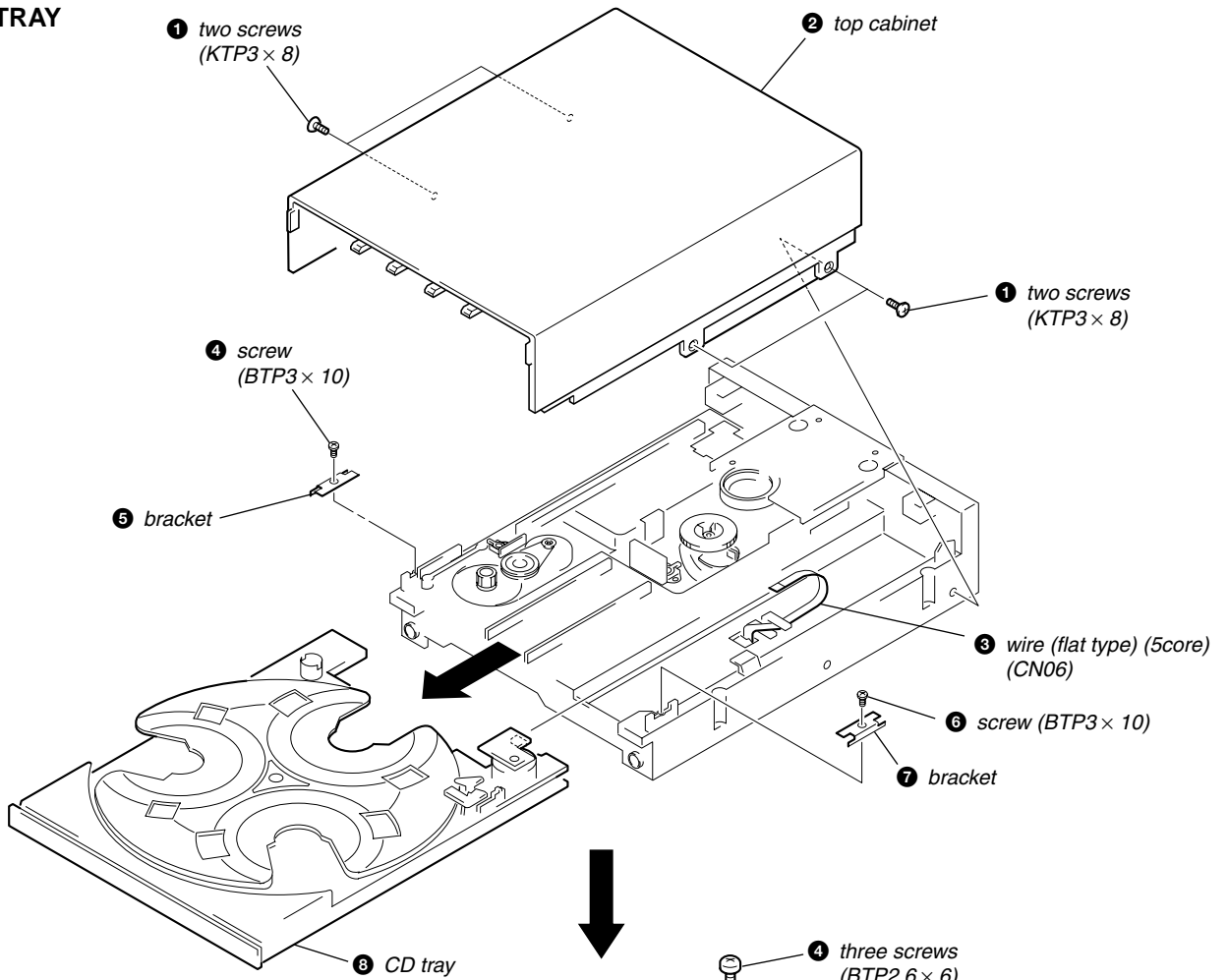
FRONT BOARD AND CENTER/REAR BOARD SECTION, DC FAN (M505)



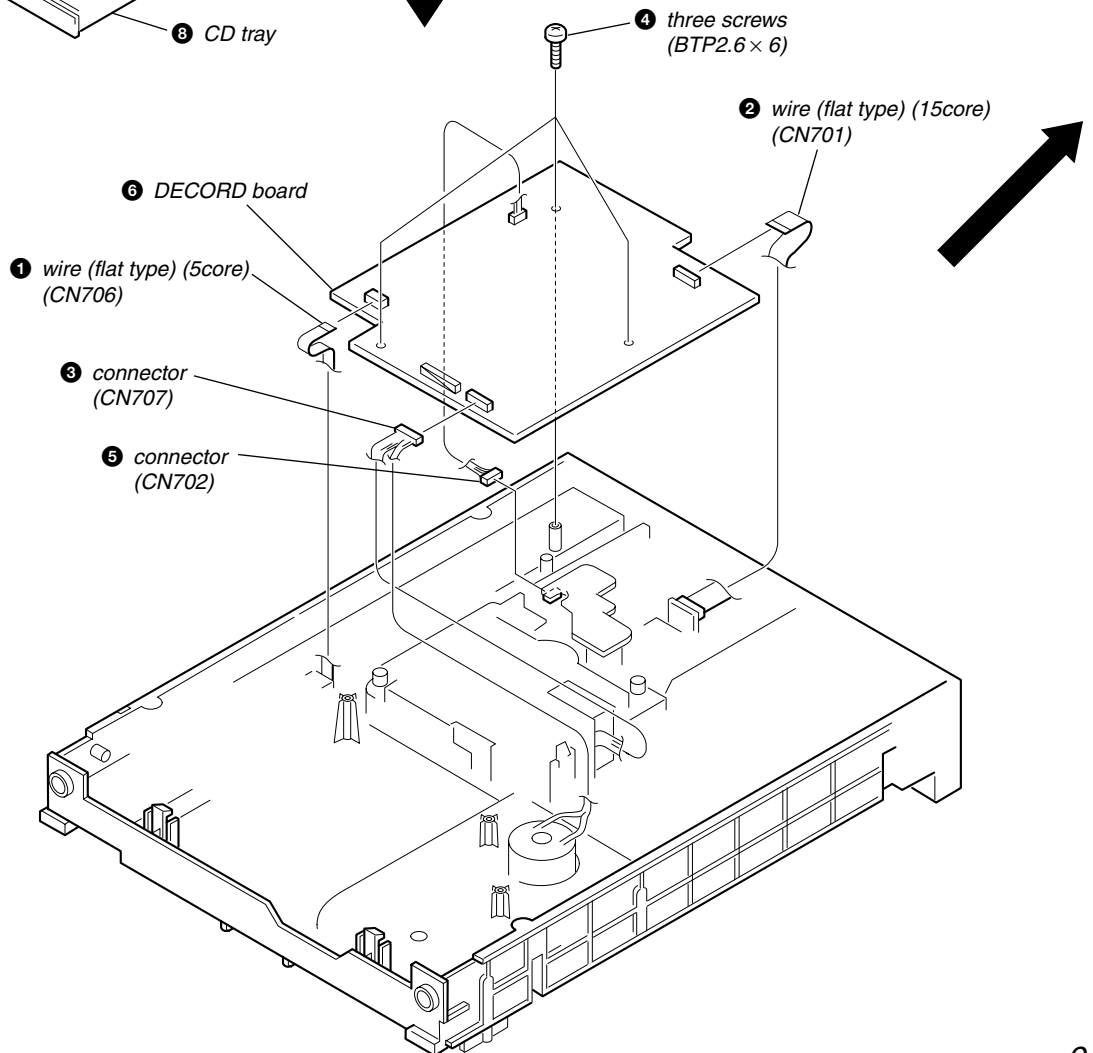
MECH DECK (CWL-44-RR)



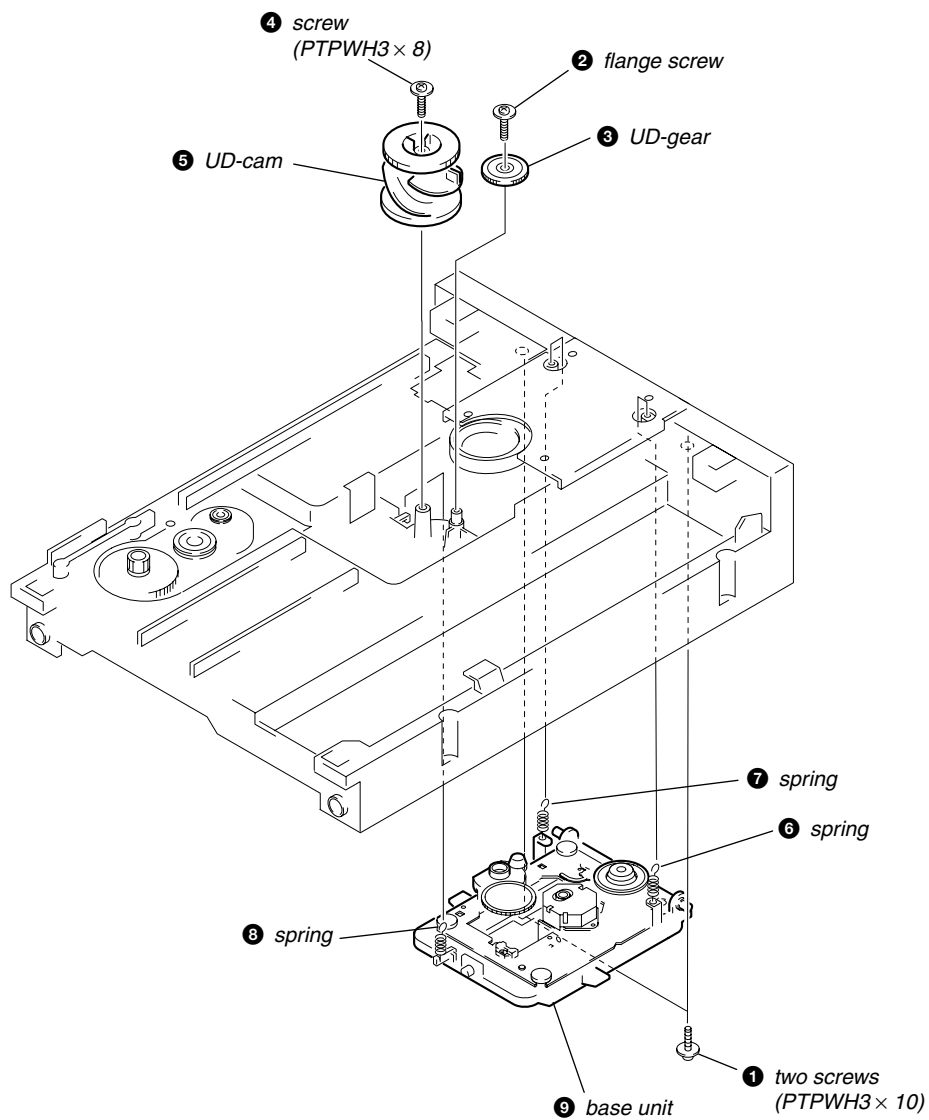
CD TRAY



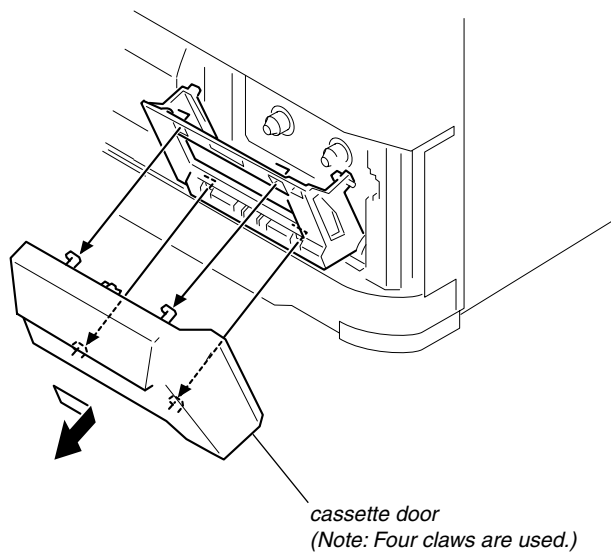
DECORD BOARD



BASE UNIT



CASSETTE LID



SECTION 4 DIAGRAMS

4-1. NOTE FOR PRINTED WIRING BOARDS AND SCHEMATIC DIAGRAMS

Note on Printed Wiring Board:

- : parts extracted from the conductor side.
- ▨ : Pattern from the side which enables seeing. (The other layers' patterns are not indicated.)

Note on Schematic Diagram:

- All capacitors are in μF unless otherwise noted. U: μF , pF; $\mu\mu\text{F}$ 50 WV or less are not indicated except for electrolytics and tantalums.
- If a numeric value of capacitor is a decimal function, the preceding zero may be omitted. (For example, .1 expresses 0.1)
- All resistors are in Ω and $1/4\text{W}$ or less unless otherwise specified.
- Δ : internal component.
- \square : nonflammable resistor.
- \square : panel designation.

Note:

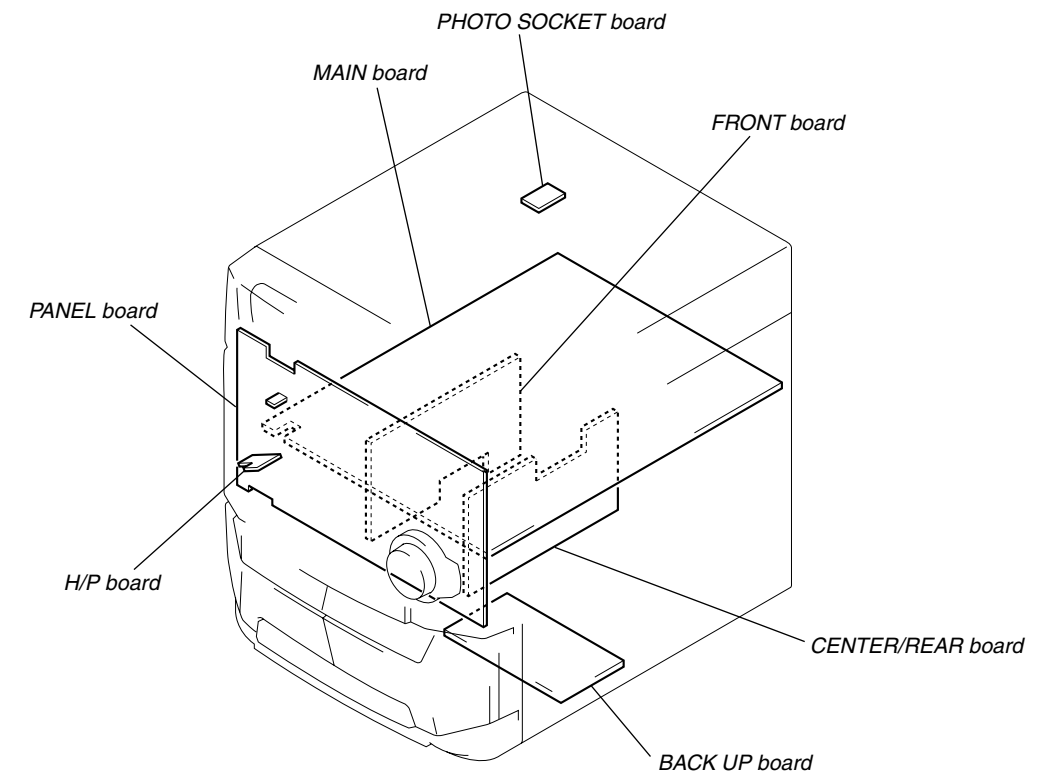
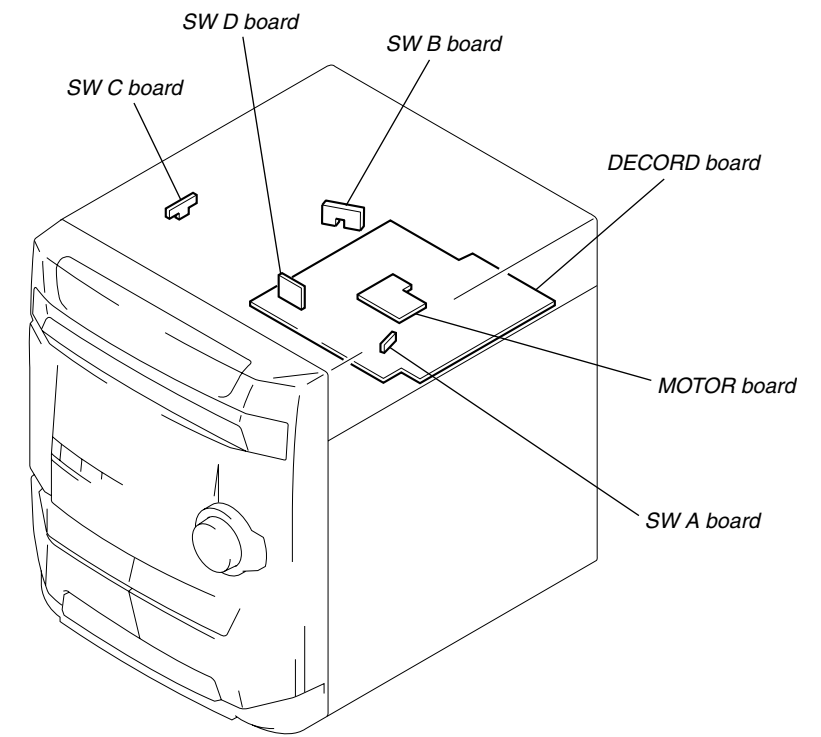
The components identified by mark Δ or dotted line with mark Δ are critical for safety. Replace only with part number specified.

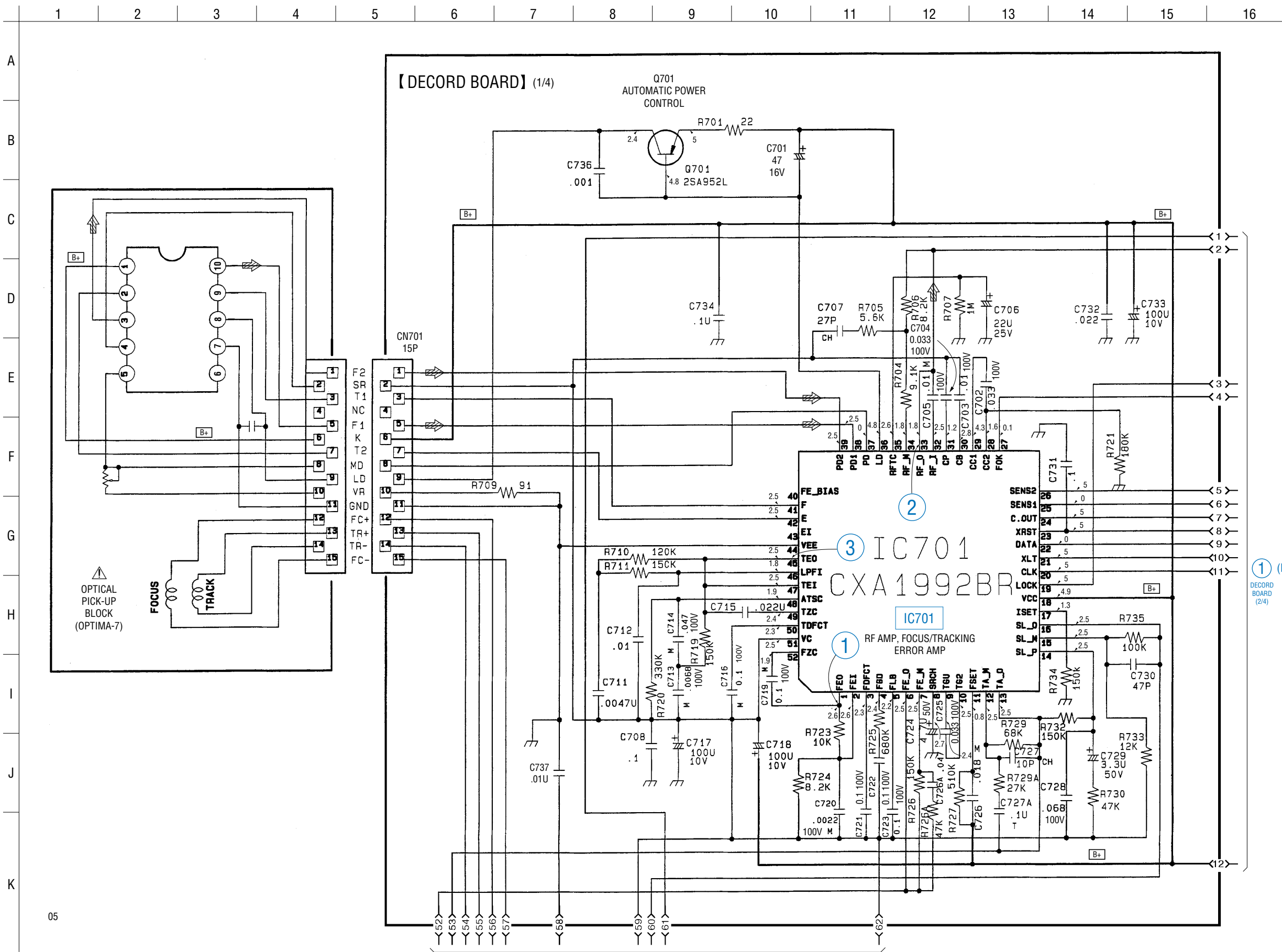
Note:

Les composants identifiés par une marque Δ sont critiques pour la sécurité. Ne les remplacer que par une pièce portant le numéro spécifié.

- \square B+ : B+ Line.
- \square B- : B- Line.
- \square : adjustment for repair.
- Voltages are taken with a VOM (Input impedance 10 M Ω). Voltage variations may be noted due to normal production tolerances.
- Waveforms are taken with a oscilloscope. Voltage variations may be noted due to normal production tolerances.
- Circled numbers refer to waveforms.
- Signal path.
 - \rightarrow : FM
 - \rightarrow : AM
 - \rightarrow : TAPE PLAY (DECK A)
 - \rightarrow : TAPE PLAY (DECK B)
 - \rightarrow : TAPE REC
 - \rightarrow : CD PLAY (ANALOG OUT)
 - \rightarrow : CD PLAY (DIGITAL OUT)
- Abbreviation
CND : Canadian model

• Circuit Boards Location





05

2 DECORD BOARD (3/4) (Page 14)

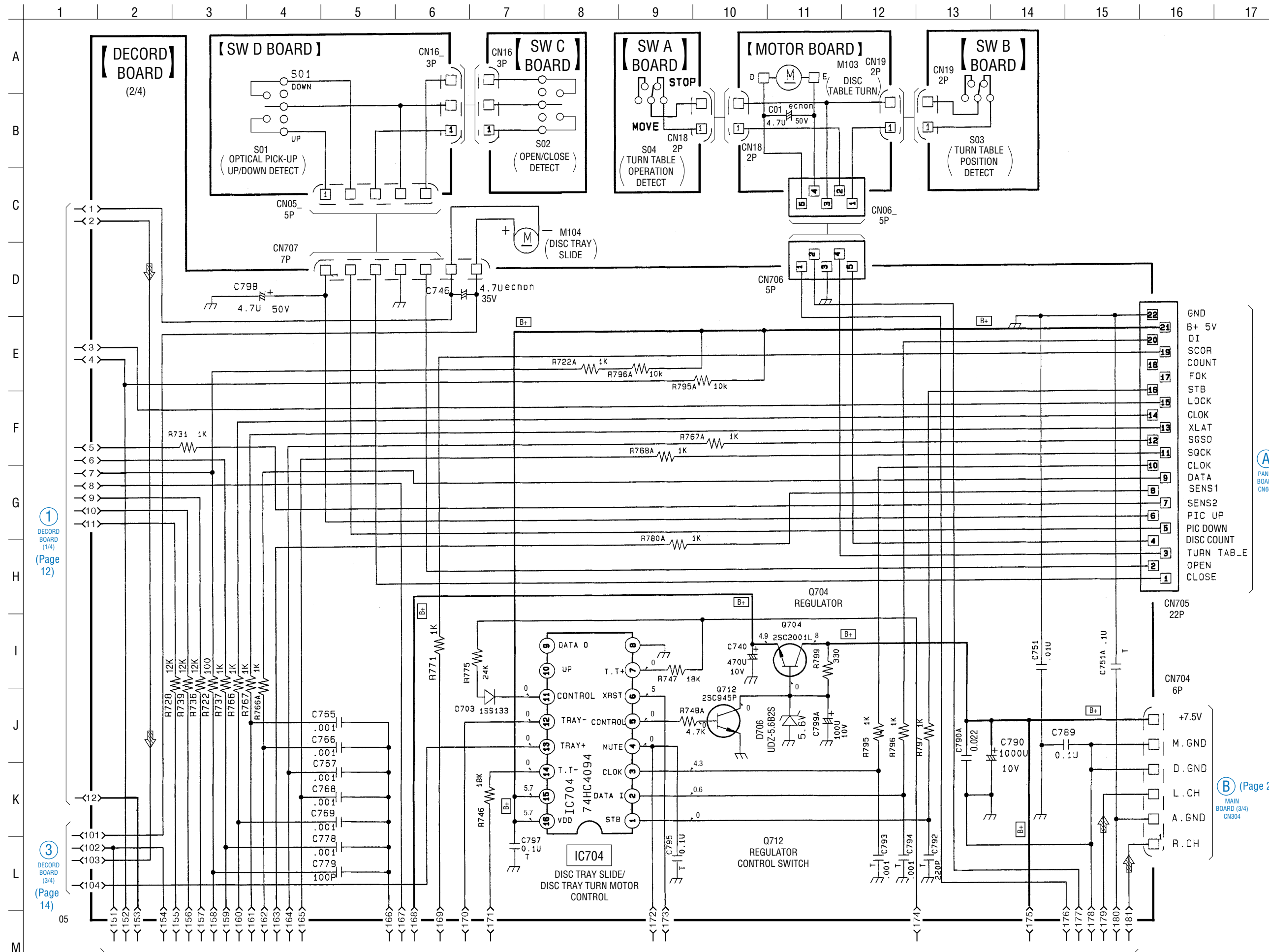
1 (Page 13) DECORD BOARD (2/4)

• Voltages and waveforms are dc with respect to ground under no-signal conditions.
no mark : CD PLAY

The components identified by mark Δ or dotted line with mark Δ are critical for safety. Replace only with part number specified.

Les composants identifiés par une marque Δ sont critiques pour la sécurité. Ne les remplacer que par une pièce portant le numéro spécifié.

4-3. SCHEMATIC DIAGRAM - CD Section (2/4) -



1 DECOR BOARD (1/4) (Page 12)

3 DECOR BOARD (3/4) (Page 14)

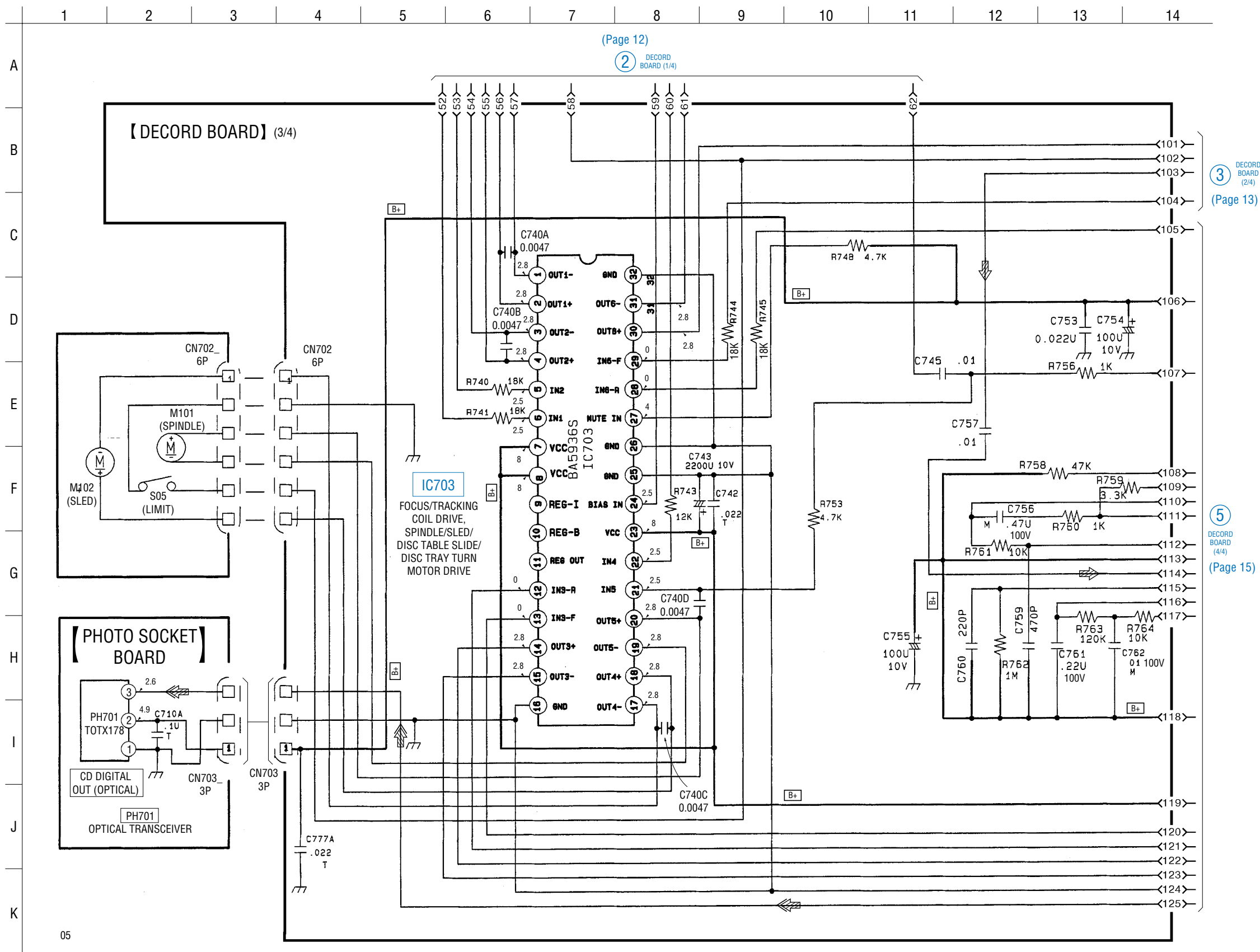
4 DECOR BOARD (4/4) (Page 15)

A (Page 23) PANEL BOARD CN605

B (Page 20) MAIN BOARD (3/4) CN304

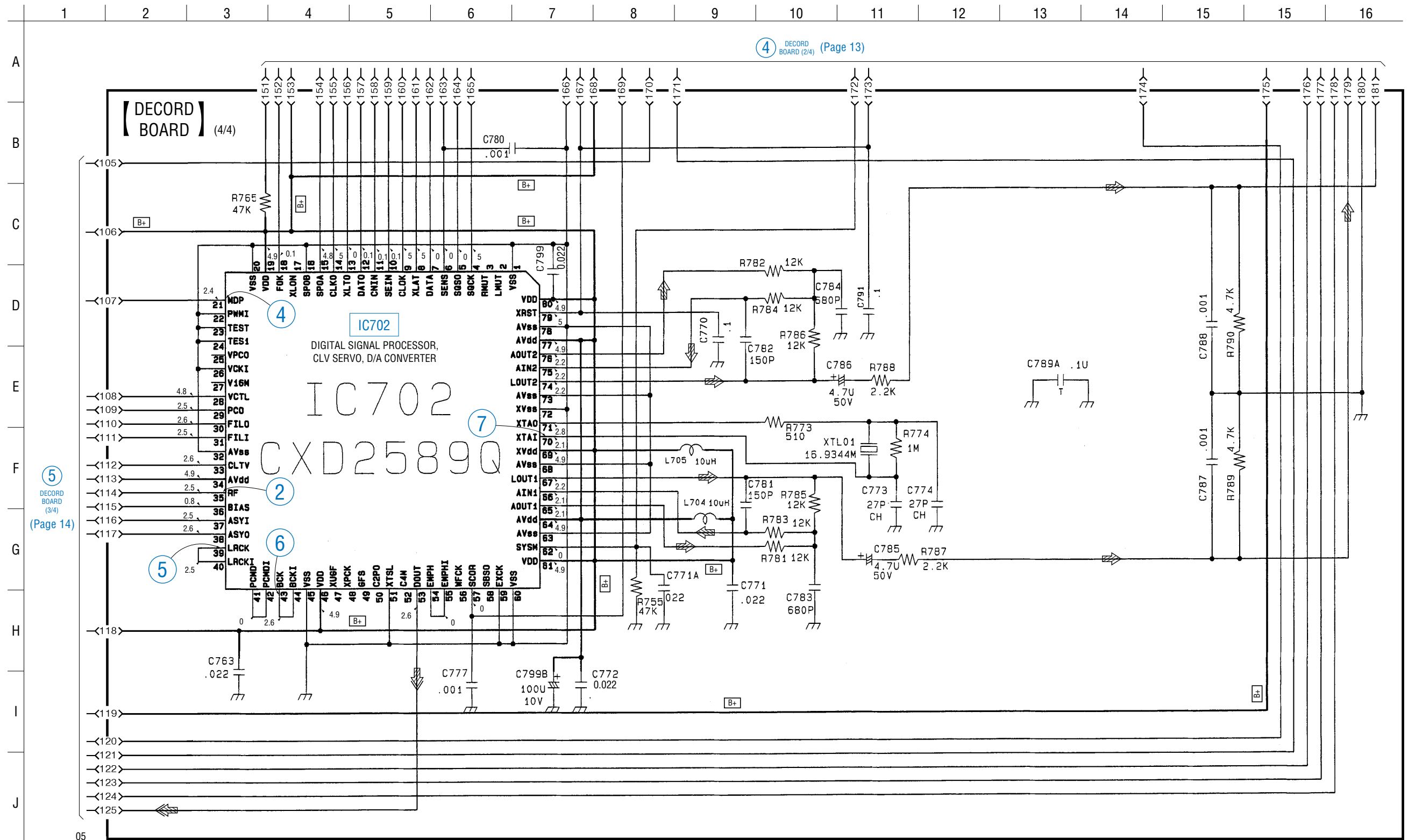
• Voltages are dc with respect to ground under no-signal conditions.
no mark : CD PLAY

4-4. SCHEMATIC DIAGRAM – CD Section (3/4) – • See page 29 for IC Block Diagram.



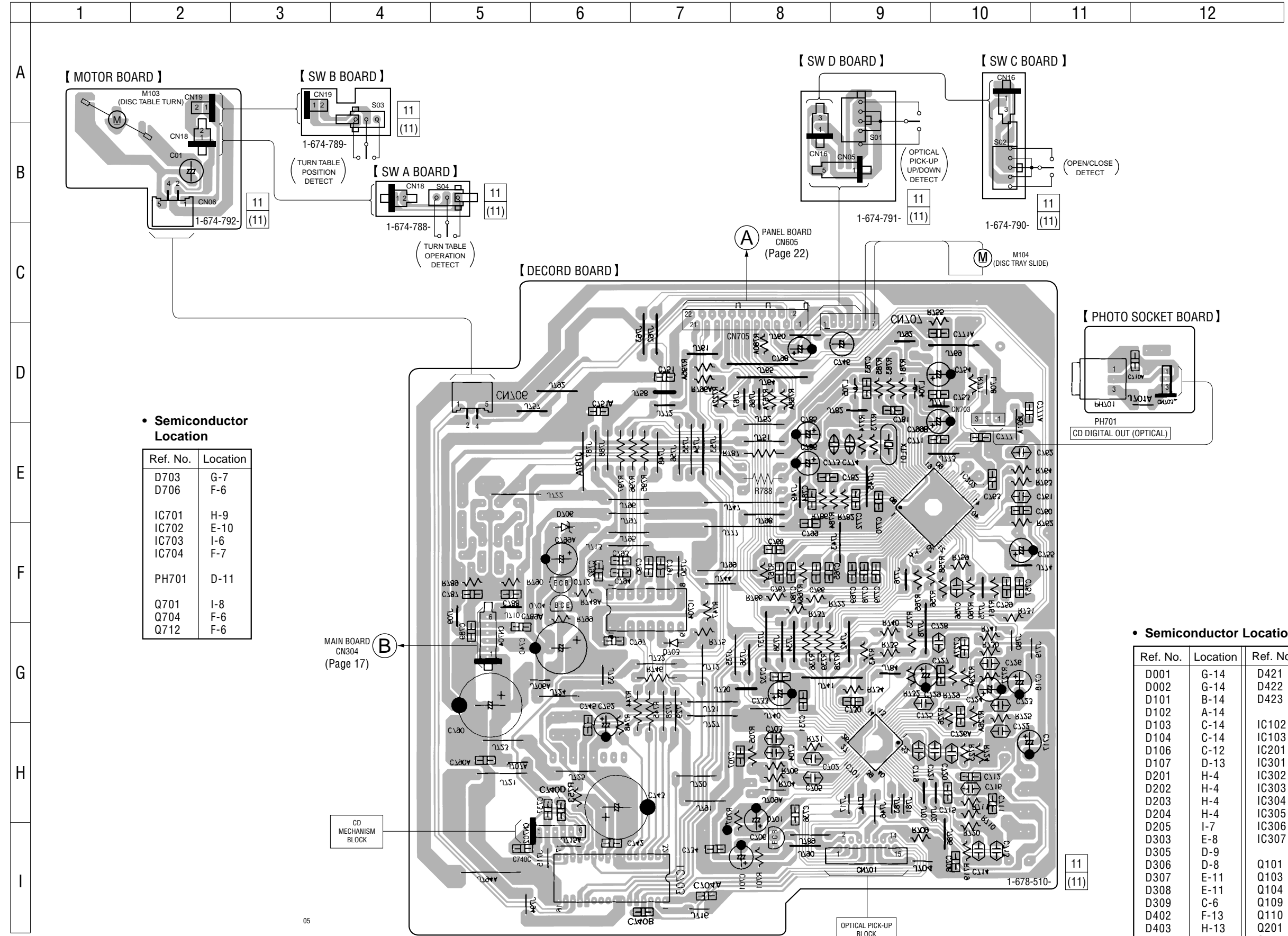
• Voltages are dc with respect to ground under no-signal conditions.
no mark : CD PLAY

4-5. SCHEMATIC DIAGRAM – CD Section (4/4) – • See page 28 for Waveforms. • See page 29 for IC Block Diagram.



• Voltages and waveforms are dc with respect to ground under no-signal conditions.
no mark : CD PLAY

4-6. PRINTED WIRING BOARDS – CD Section – • See page 11 for Circuit Boards Location.



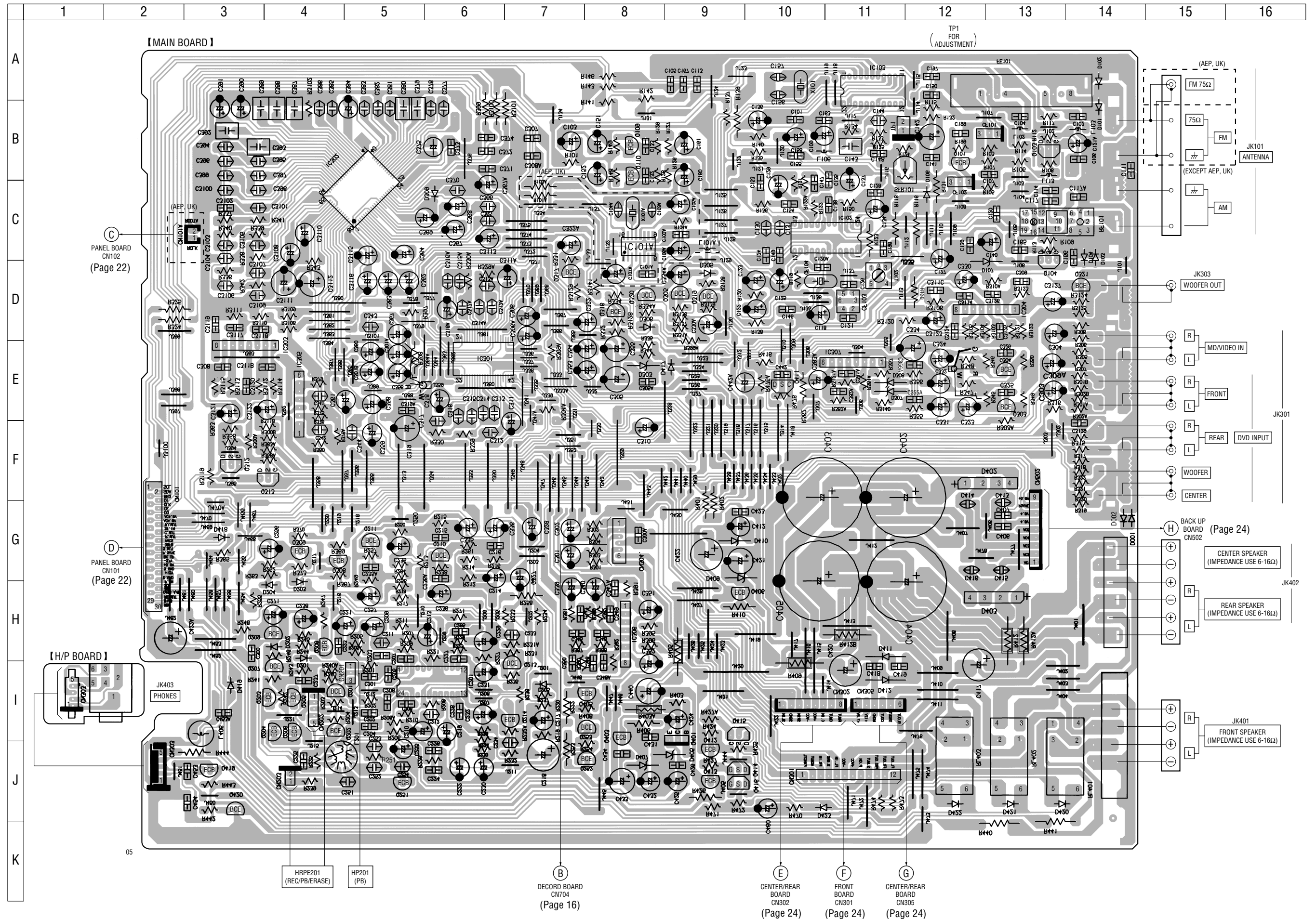
• Semiconductor Location

Ref. No.	Location
D703	G-7
D706	F-6
IC701	H-9
IC702	E-10
IC703	I-6
IC704	F-7
PH701	D-11
Q701	I-8
Q704	F-6
Q712	F-6

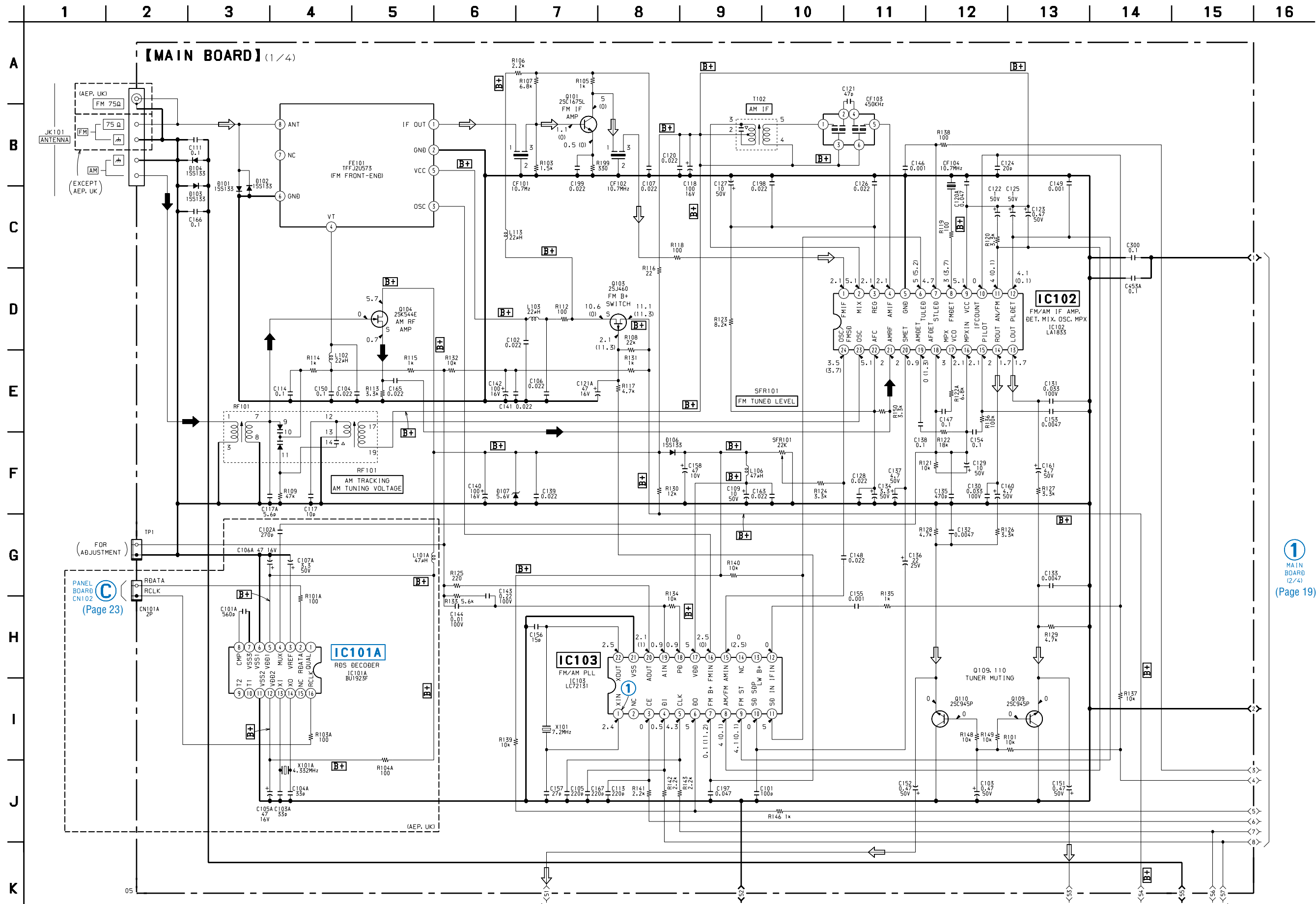
• Semiconductor Location

Ref. No.	Location	Ref. No.	Location	Ref. No.	Location
D001	G-14	D421	J-13	Q213	I-7
D002	G-14	D422	J-12	Q214	I-7
D101	B-14	D423	J-10	Q251	J-5
D102	A-14			Q252	J-8
D103	C-14	IC102	C-11	Q253	I-8
D104	C-14	IC103	A-11	Q303	E-13
D106	C-12	IC201	I-6	Q304	E-13
D107	D-13	IC301	E-6	Q305	D-9
D201	H-4	IC302	C-5	Q308	G-4
D202	H-4	IC303	E-3	Q309	G-4
D203	H-4	IC304	D-13	Q312	F-3
D204	H-4	IC305	E-4	Q313	F-4
D205	I-7	IC306	H-8	Q316	D-8
D303	E-8	IC307	E-11	Q317	D-7
D305	D-9			Q319	D-9
D306	D-8	Q101	B-12	Q320	D-8
D307	E-11	Q103	B-13	Q321	D-14
D308	E-11	Q104	D-13	Q401	I-9
D309	C-6	Q109	B-8	Q403	I-8
D402	F-13	Q110	B-8	Q405	I-8
D403	H-13	Q201	I-4	Q406	H-9
D405	J-9	Q202	I-4	Q411	E-10
D407	J-8	Q203	I-4	Q412	J-9
D409	G-9	Q204	I-4	Q413	J-9
D410	G-9	Q205	I-4	Q414	J-9
D411	H-11	Q206	I-4	Q415	I-9
D412	I-11	Q207	I-4	Q416	J-9
D417	E-9	Q208	H-4	Q419	J-3
D418	G-3	Q209	H-4	Q420	J-3
D419	I-3	Q210	G-6		
D420	J-13	Q211	G-5		

4-7. PRINTED WIRING BOARDS – MAIN Section – • See page 11 for Circuit Boards Location.



4-8. SCHEMATIC DIAGRAM – MAIN Section (1/4) – • See page 28 for Waveform. • See page 29 for IC Block Diagram.

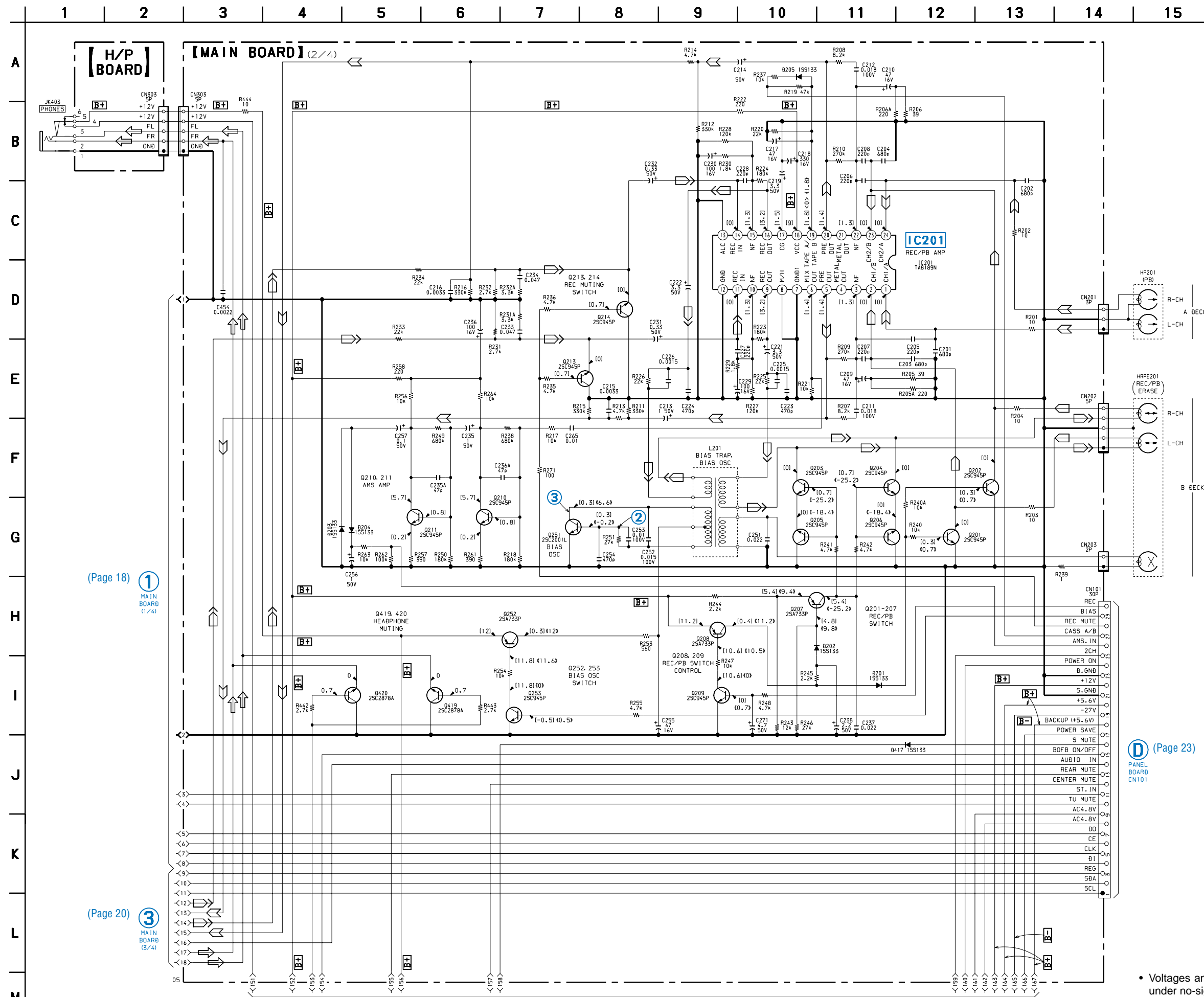


• Voltages and waveforms are dc with respect to ground under no-signal (detuned) conditions.
 no mark : FM
 () : AM

1
 MAIN BOARD (2/4)
 (Page 19)

2
 MAIN BOARD (3/4)
 (Page 20)

4-9. SCHEMATIC DIAGRAM – MAIN Section (2/4) – • See page 28 for Waveforms. • See page 29 for IC Block Diagram.



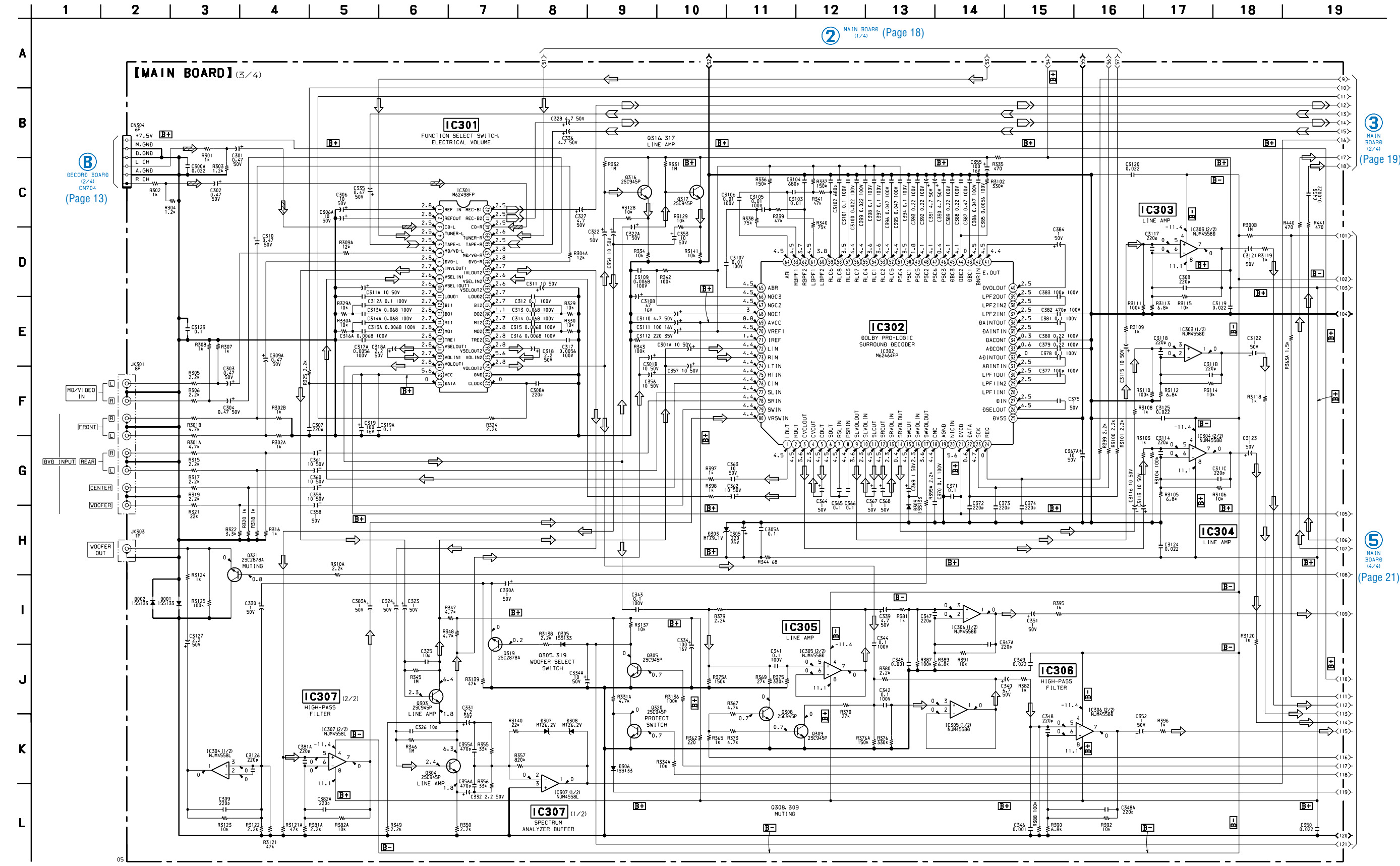
(Page 18) ① MAIN BOARD (1/4)

(Page 20) ③ MAIN BOARD (3/4)

④ (Page 23) PANEL BOARD CN101

④ MAIN BOARD (Page 21) (4/4)

- Voltages and waveforms are dc with respect to ground under no-signal (detuned) conditions.
- no mark : FM
- [] : TAPE PLAY (DECK A)
- < > : TAPE PLAY (DECK B)
- 《 》 : TAPE REC



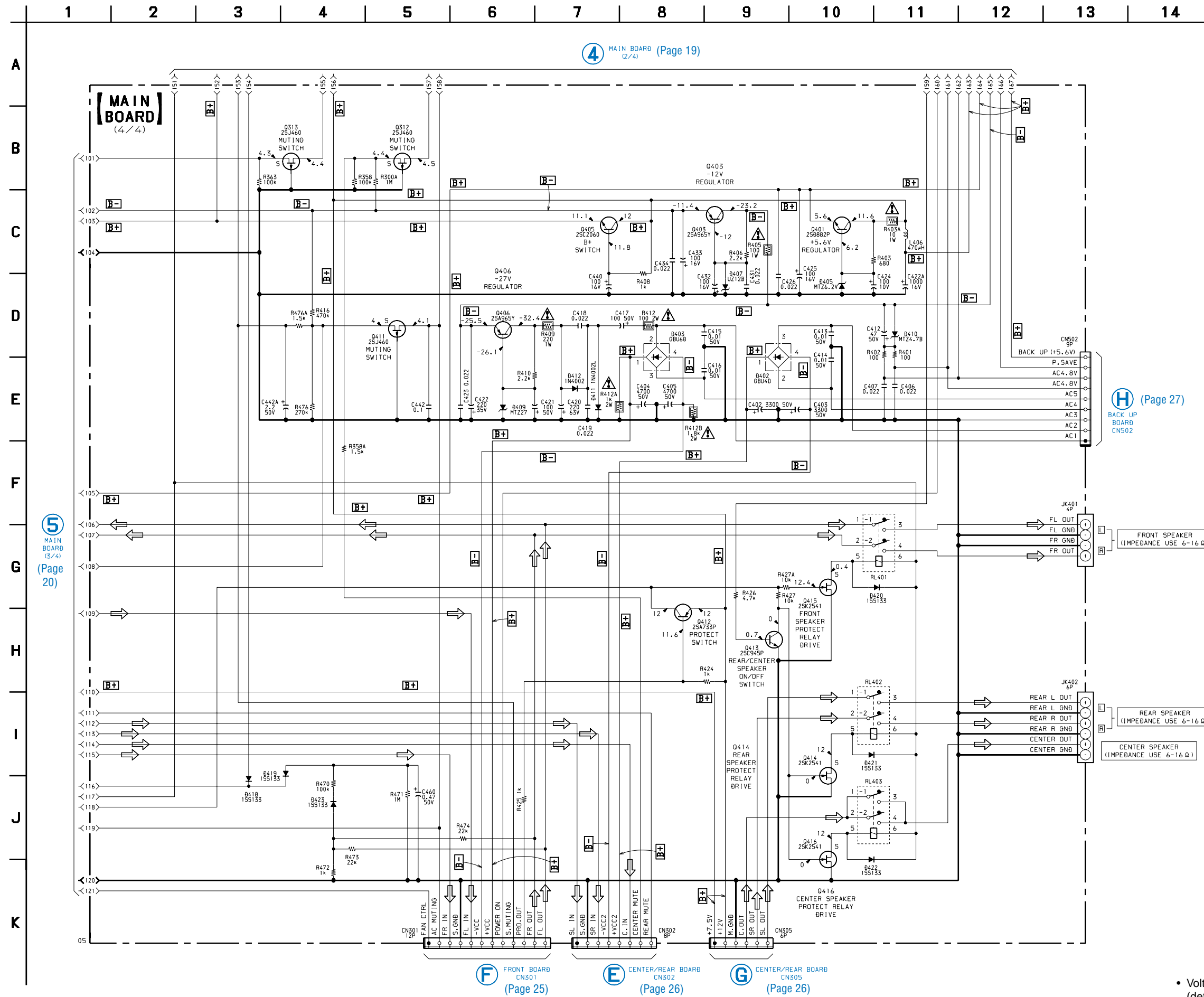
2 MAIN BOARD (1/4) (Page 18)

3 MAIN BOARD (2/4) (Page 19)

5 MAIN BOARD (4/4) (Page 21)

• Voltages are dc with respect to ground under no-signal (detuned) conditions. no mark : FM

4-11. SCHEMATIC DIAGRAM – MAIN Section (4/4) –



• Voltages are dc with respect to ground under no-signal (detuned) conditions.
no mark : FM

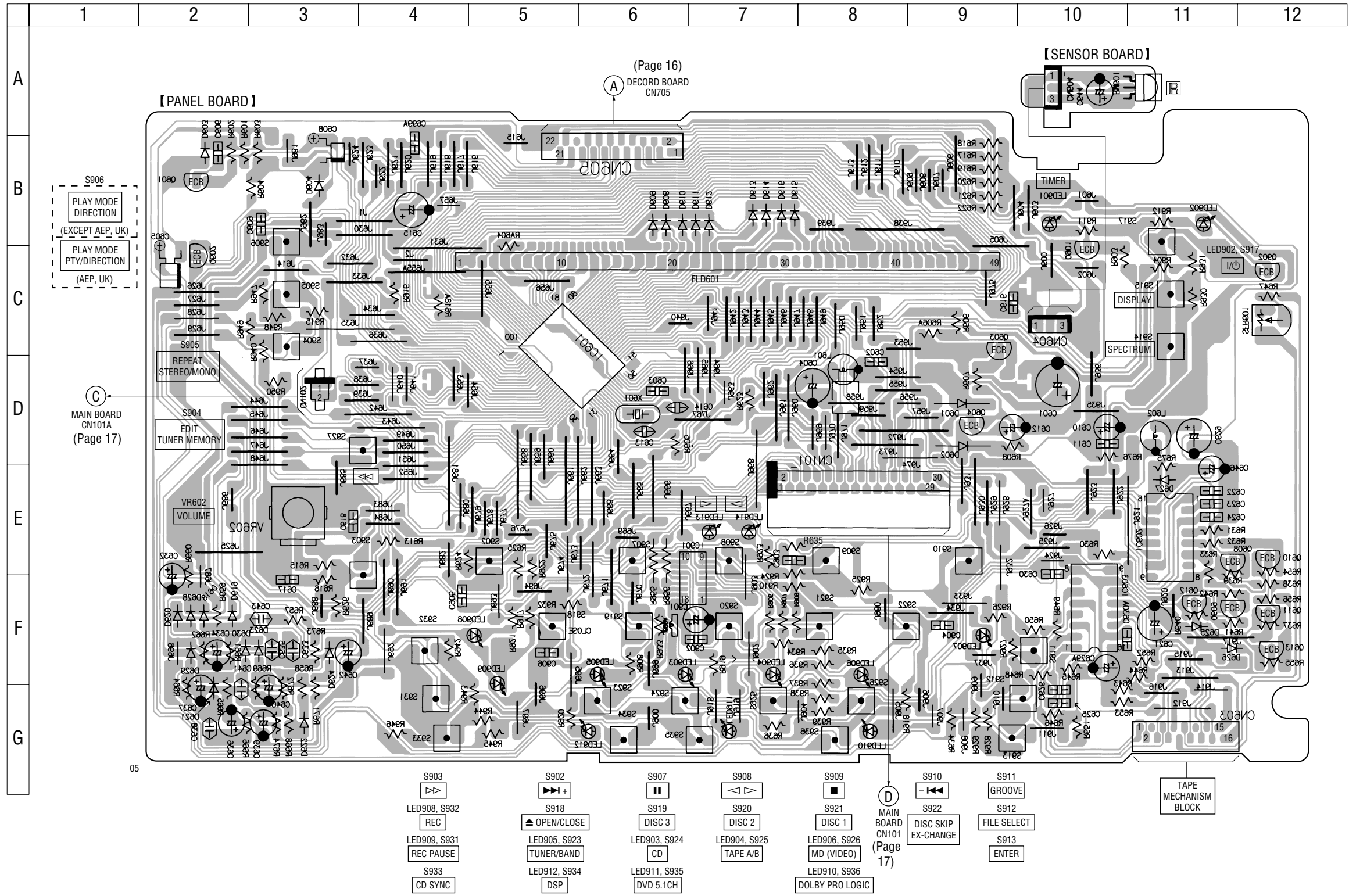
The components identified by mark Δ or dotted line with mark Δ are critical for safety. Replace only with part number specified.

Les composants identifiés par une marque Δ sont critiques pour la sécurité. Ne les remplacer que par une pièce portant le numéro spécifié.

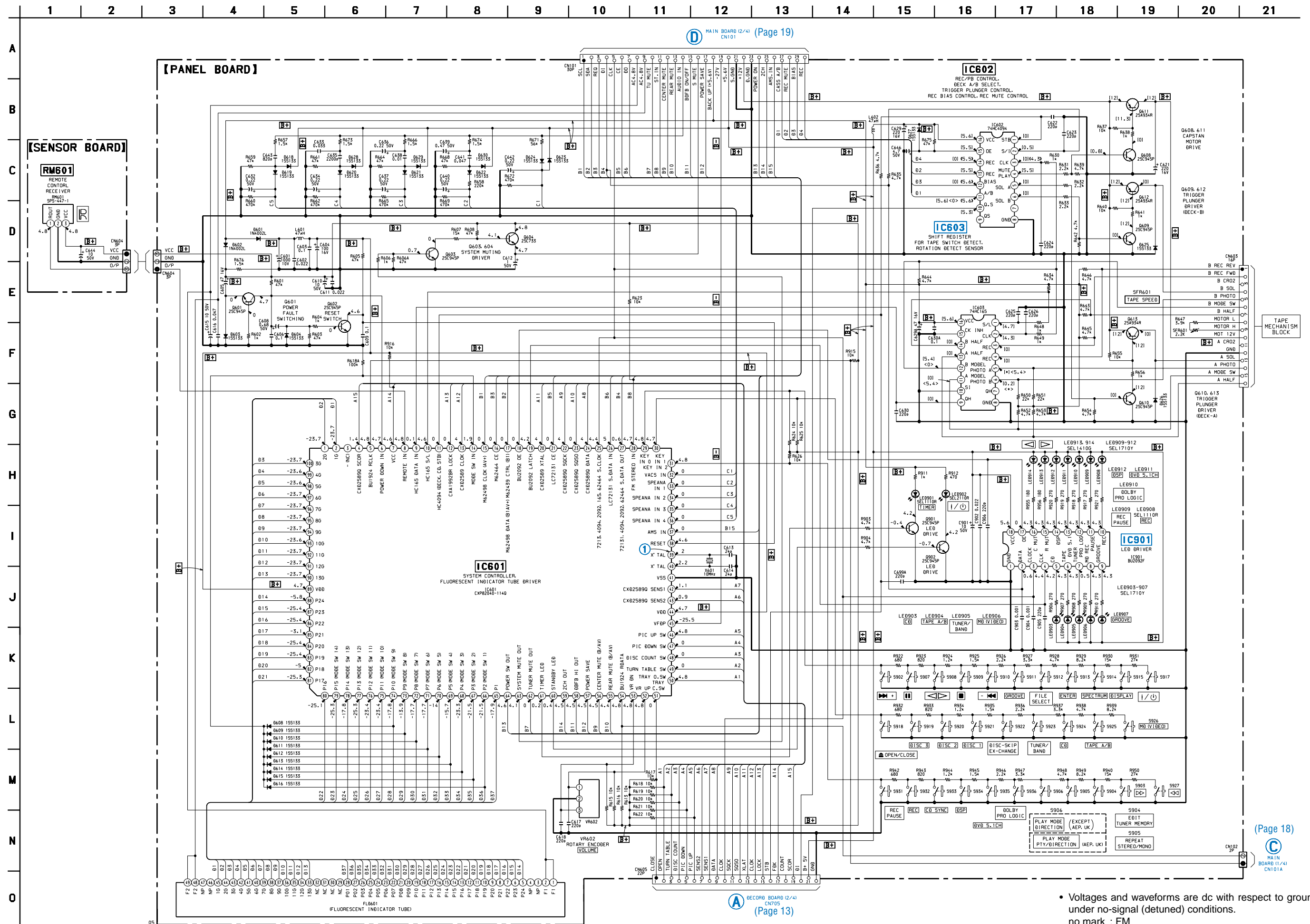
4-12. PRINTED WIRING BOARDS – PANEL Section – • See page 11 for Circuit Boards Location.

• Semiconductor Location

Ref. No.	Location
D601	D-9
D602	D-9
D603	B-2
D604	B-3
D608	B-6
D609	B-6
D610	B-6
D611	B-7
D612	B-7
D613	B-7
D614	B-7
D615	B-7
D616	B-7
D618	F-2
D619	F-2
D620	F-2
D621	G-2
D622	G-3
D623	F-3
D624	F-3
D625	F-11
D626	F-11
D627	E-11
D628	F-2
D629	F-2
D630	F-2
IC601	C-5
IC602	E-11
IC603	F-10
IC901	F-7
LED901	B-10
LED902	B-11
LED903	F-6
LED904	F-7
LED905	F-6
LED906	F-8
LED907	F-9
LED908	F-5
LED909	F-5
LED910	G-8
LED911	G-7
LED912	G-6
LED913	E-7
LED914	E-7
Q601	B-2
Q602	C-2
Q603	C-9
Q604	D-9
Q608	E-11
Q609	F-11
Q610	E-12
Q611	F-12
Q612	F-11
Q613	F-12
Q901	C-10
Q902	C-12
RM601	A-11



4-13. SCHEMATIC DIAGRAM – PANEL Section – • See page 28 for Waveform. • See page 29 for IC Block Diagrams.

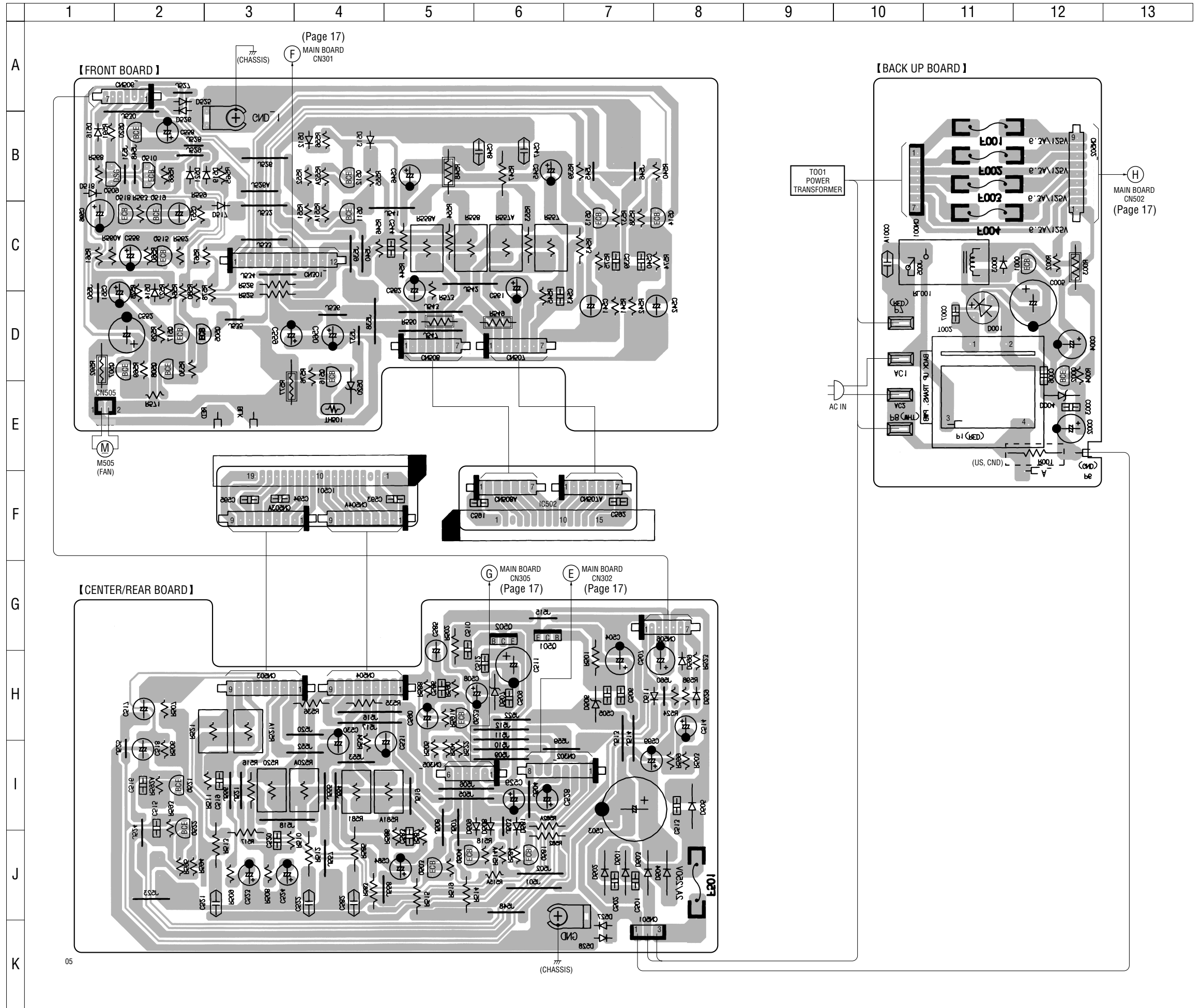


• Voltages and waveforms are dc with respect to ground under no-signal (detuned) conditions.
 no mark : FM
 [] : TAPE PLAY (DECK A)
 < > : TAPE PLAY (DECK B)
 << >> : TAPE REC
 * : Impossible to measure

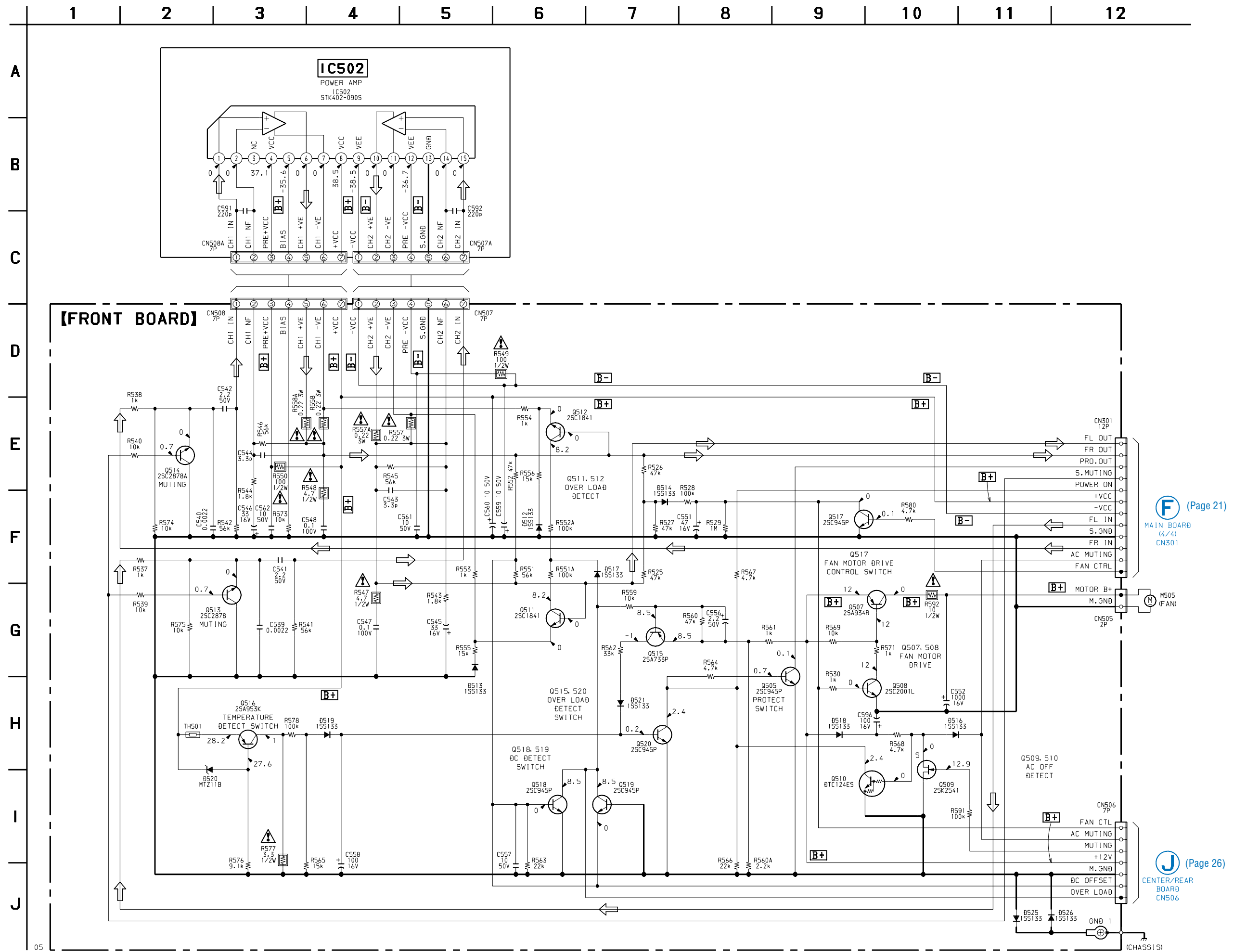
4-14. PRINTED WIRING BOARDS – AMP/POWER SUPPLY Section – • See page 11 for Circuit Boards Location.

• Semiconductor Location

Ref. No.	Location
D001	D-11
D003	C-11
D004	E-12
D501	J-7
D502	J-7
D503	J-7
D504	J-8
D505	I-8
D506	H-7
D507	H-6
D508	I-6
D509	I-6
D511	H-7
D512	B-4
D513	B-4
D514	D-2
D516	B-1
D517	C-3
D518	B-1
D519	B-3
D520	E-4
D521	B-2
D525	A-2
D526	B-2
D527	K-7
D528	K-7
D529	H-8
D581	I-6
D599	H-8
IC501	F-4
IC502	F-6
Q001	C-12
Q002	D-12
Q501	G-6
Q502	G-6
Q503	J-5
Q504	J-5
Q505	D-2
Q507	D-2
Q508	D-2
Q509	B-1
Q510	B-2
Q511	C-4
Q512	B-4
Q513	C-7
Q514	C-8
Q515	C-2
Q516	D-4
Q517	D-2
Q518	C-2
Q519	C-2
Q520	B-2
Q521	I-2
Q522	I-2
Q523	H-5
Q581	J-6



4-15. SCHEMATIC DIAGRAM – FRONT AMP Section –

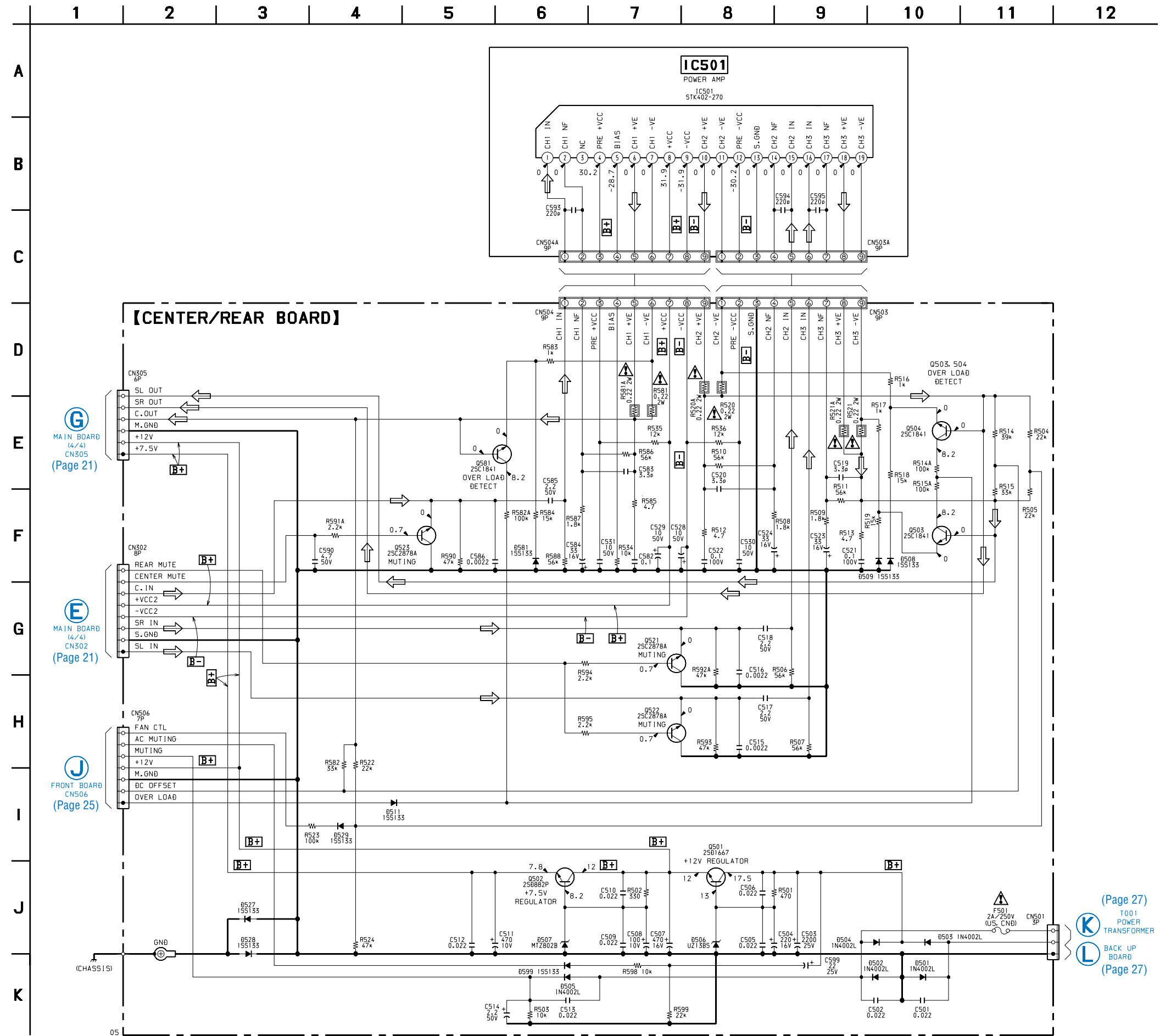


• Voltages are dc with respect to ground under no-signal (detuned) conditions.
no mark : FM

The components identified by mark Δ or dotted line with mark Δ are critical for safety. Replace only with part number specified.

Les composants identifiés par une marque Δ sont critiques pour la sécurité. Ne les remplacer que par une pièce portant le numéro spécifié.

4-16. SCHEMATIC DIAGRAM – CENTER/REAR AMP Section –



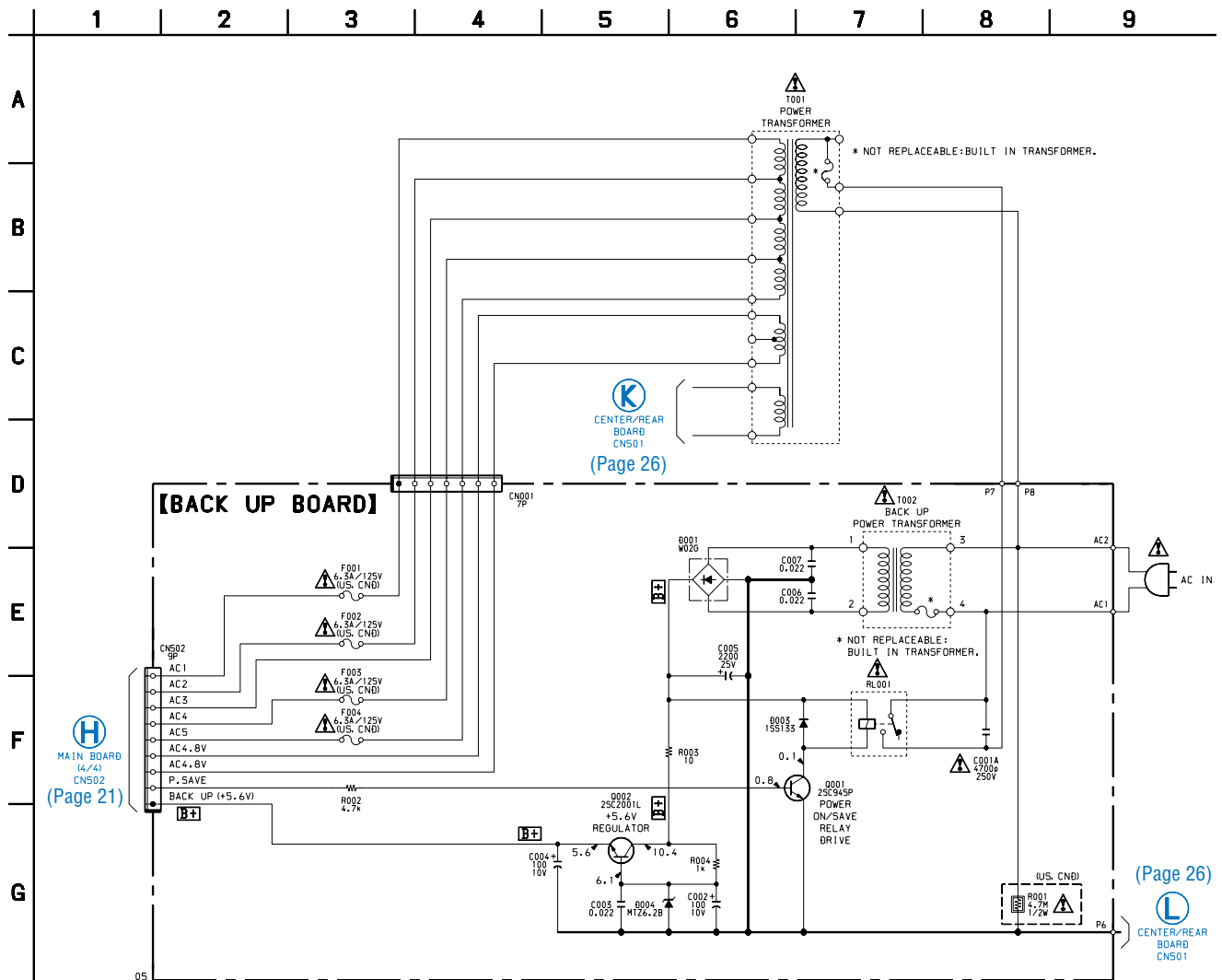
• Voltages are dc with respect to ground under no-signal (detuned) conditions.
no mark : FM

The components identified by mark Δ or dotted line with mark Δ are critical for safety. Replace only with part number specified.

Les composants identifiés par une marque Δ sont critiques pour la sécurité. Ne les remplacer que par une pièce portant le numéro spécifié.

(Page 27)
T001
POWER
TRANSFORMER
(Page 27)
BACK UP
BOARD
(Page 27)

4-17. SCHEMATIC DIAGRAM – POWER SUPPLY Section –



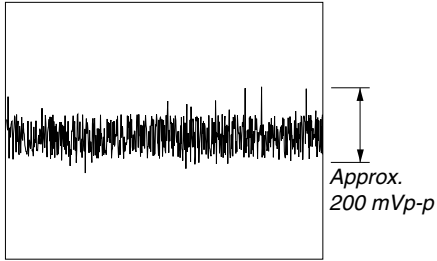
- Voltages are dc with respect to ground under no-signal (detuned) conditions.
no mark : FM

<p>The components identified by mark \triangle or dotted line with mark \triangle are critical for safety. Replace only with part number specified.</p>	<p>Les composants identifiés par une marque \triangle sont critiques pour la sécurité. Ne les remplacer que par une pièce portant le numéro spécifié.</p>
---	--

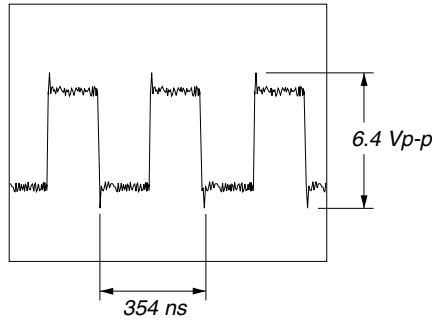
• Waveforms

– DECORD Board –

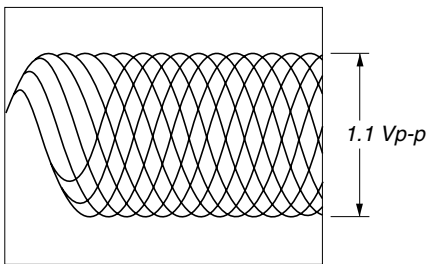
1 IC701 ① (FEO) (CD Play Mode)



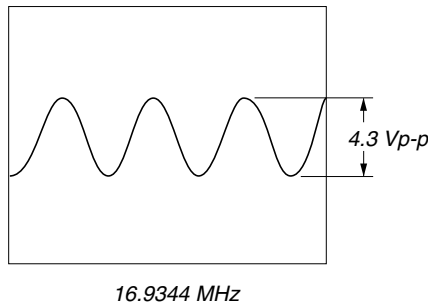
6 IC702 ③ (BCK) (CD Play Mode)



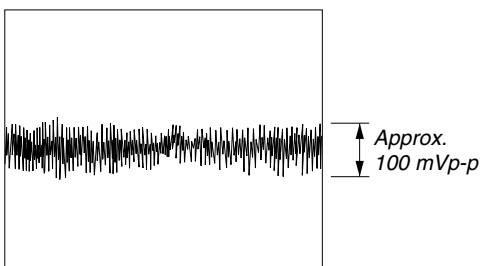
2 IC701 ③ (RF O), IC702 ⑤ (RF) (CD Play Mode)



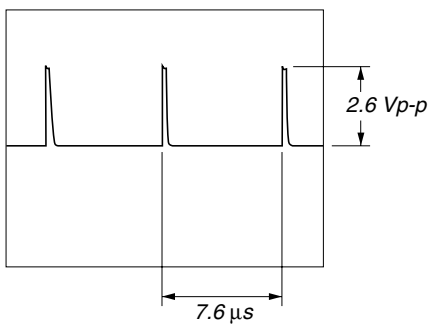
7 IC702 ⑦ (XTAL)



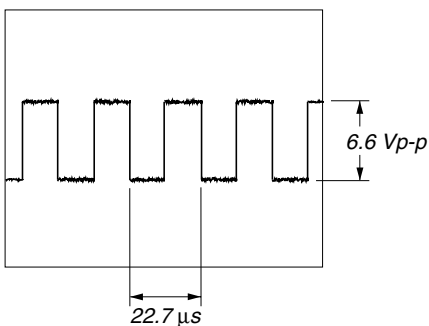
3 IC701 ④ (TEO) (CD Play Mode)



4 IC702 ② (MDP) (CD Play Mode)

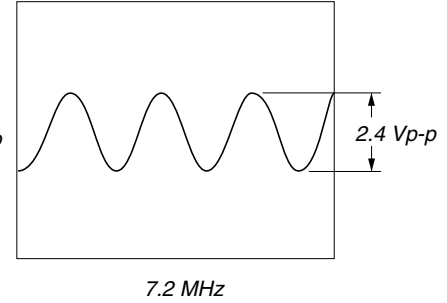


5 IC702 ④ (LRCK) (CD Play Mode)

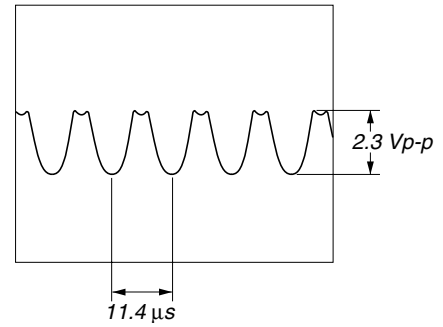


– MAIN Board –

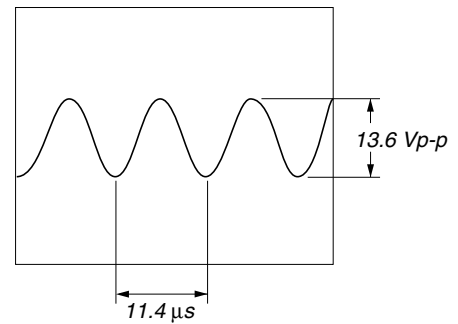
1 IC103 ① (XIN)



2 Q251 (Base) (Tape Rec Mode)

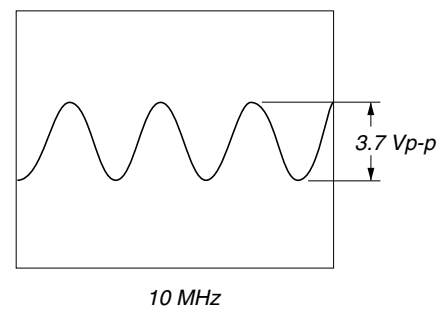


3 Q251 (Collector) (Tape Rec Mode)



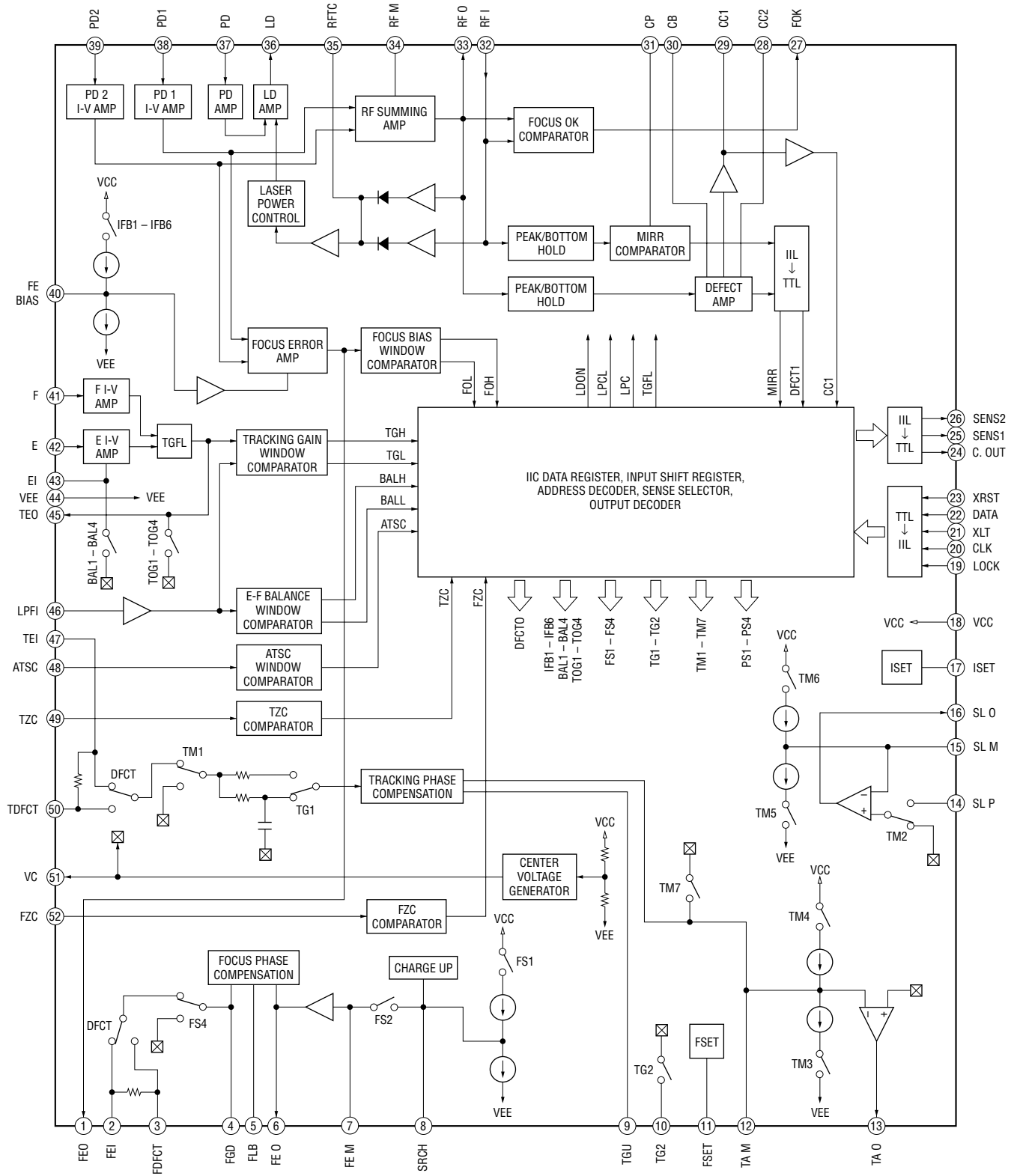
– PANEL Board –

1 IC601 ③ (X'TAL)

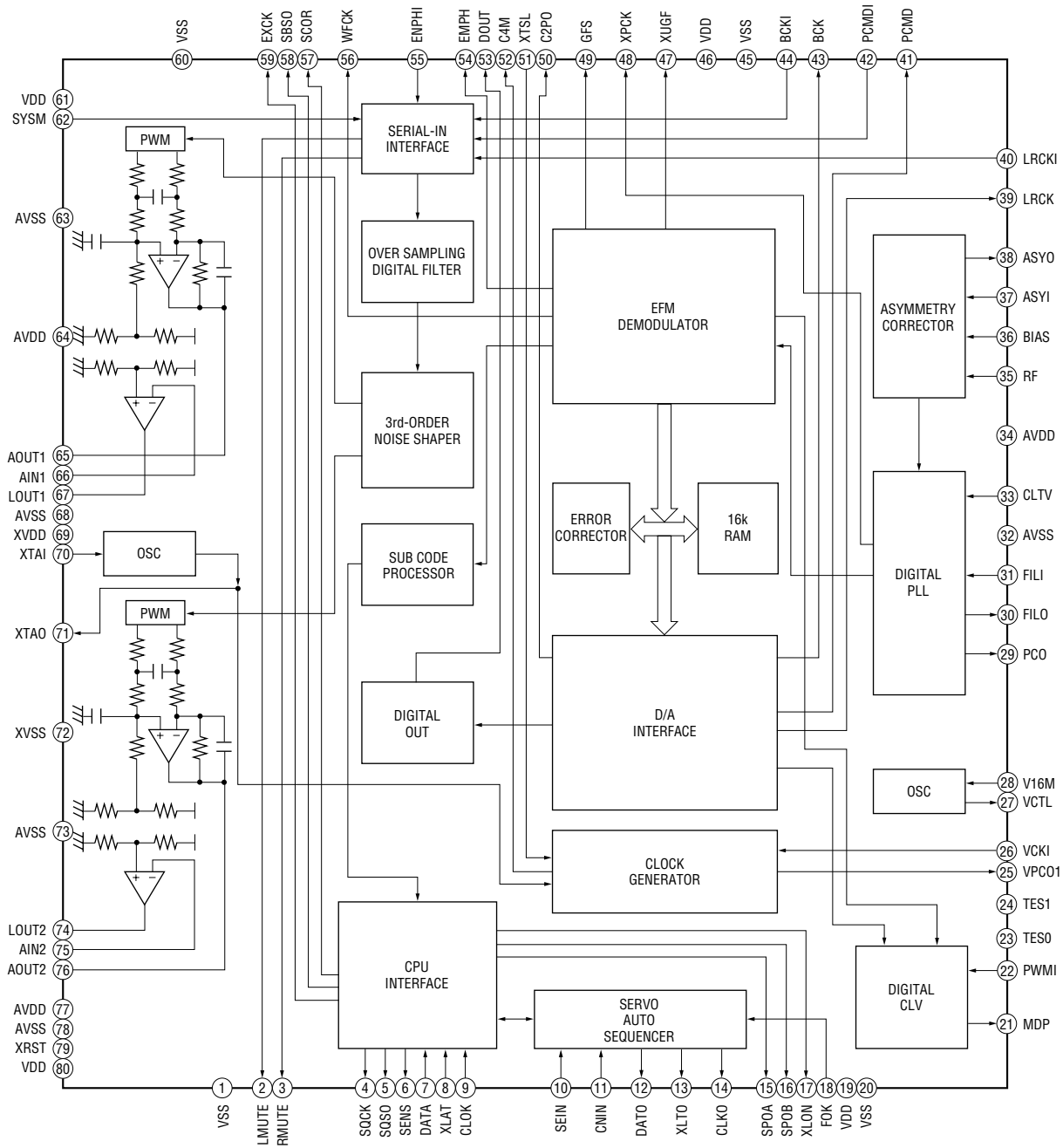


• IC Block Diagrams
– DECORD Board –

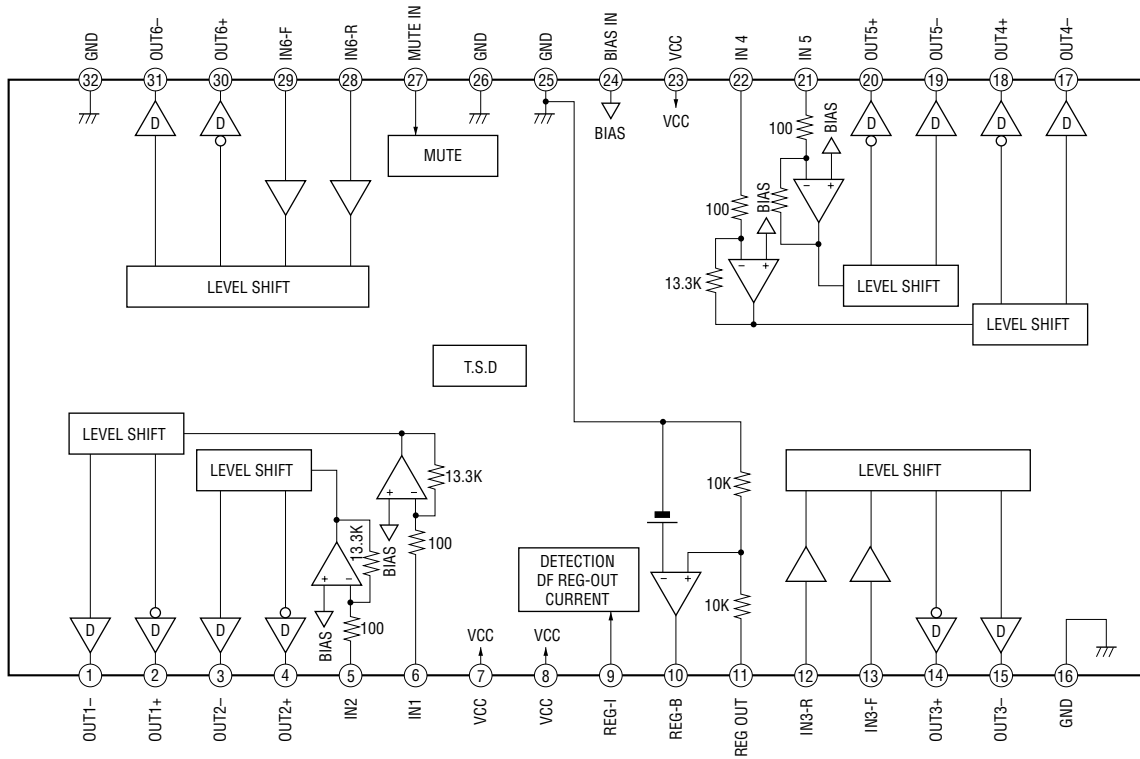
IC701 CXA192BR



IC702 CXD2589Q

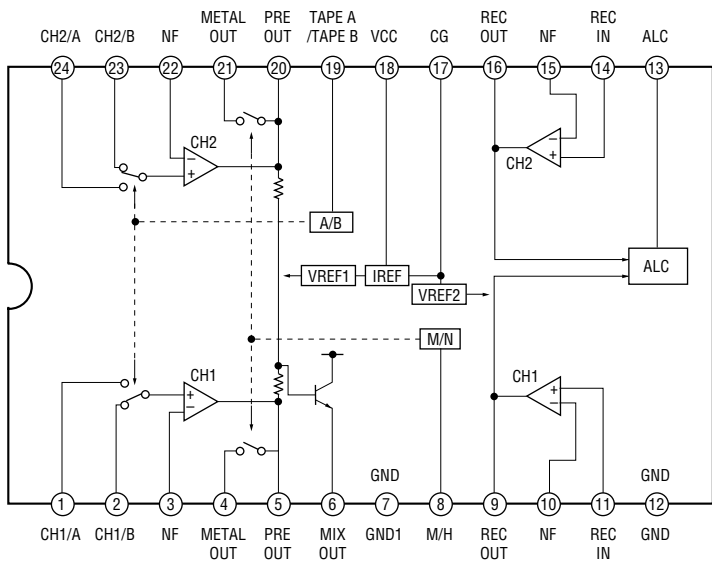


IC703 BA5936S

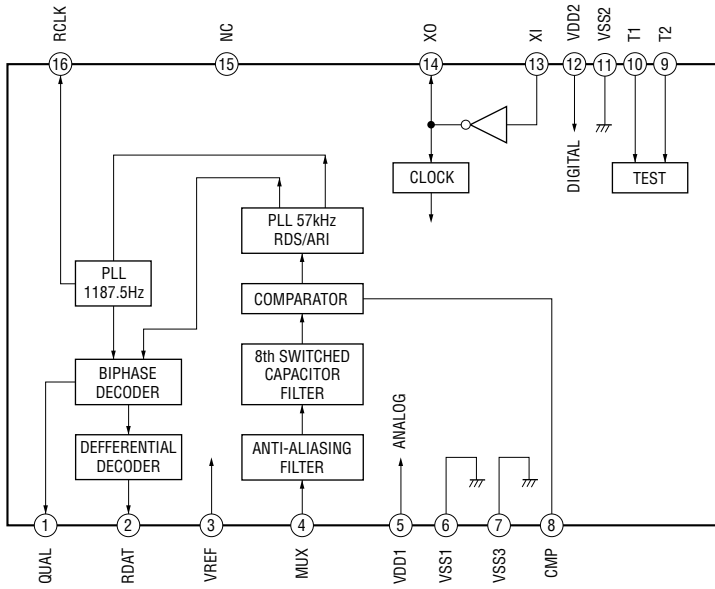


- MAIN Board -

IC201 TA8189N

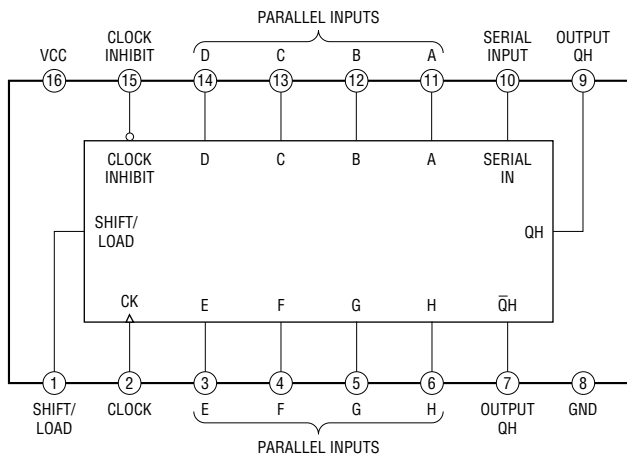


IC101A BU1923F (AEP, UK models)

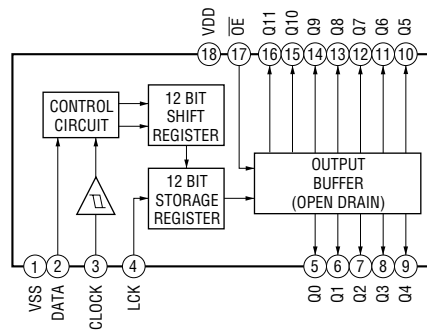


- PANEL Board -

IC603 TC74HC165AP



IC901 BU2092



SECTION 5 EXPLODED VIEWS

NOTE:

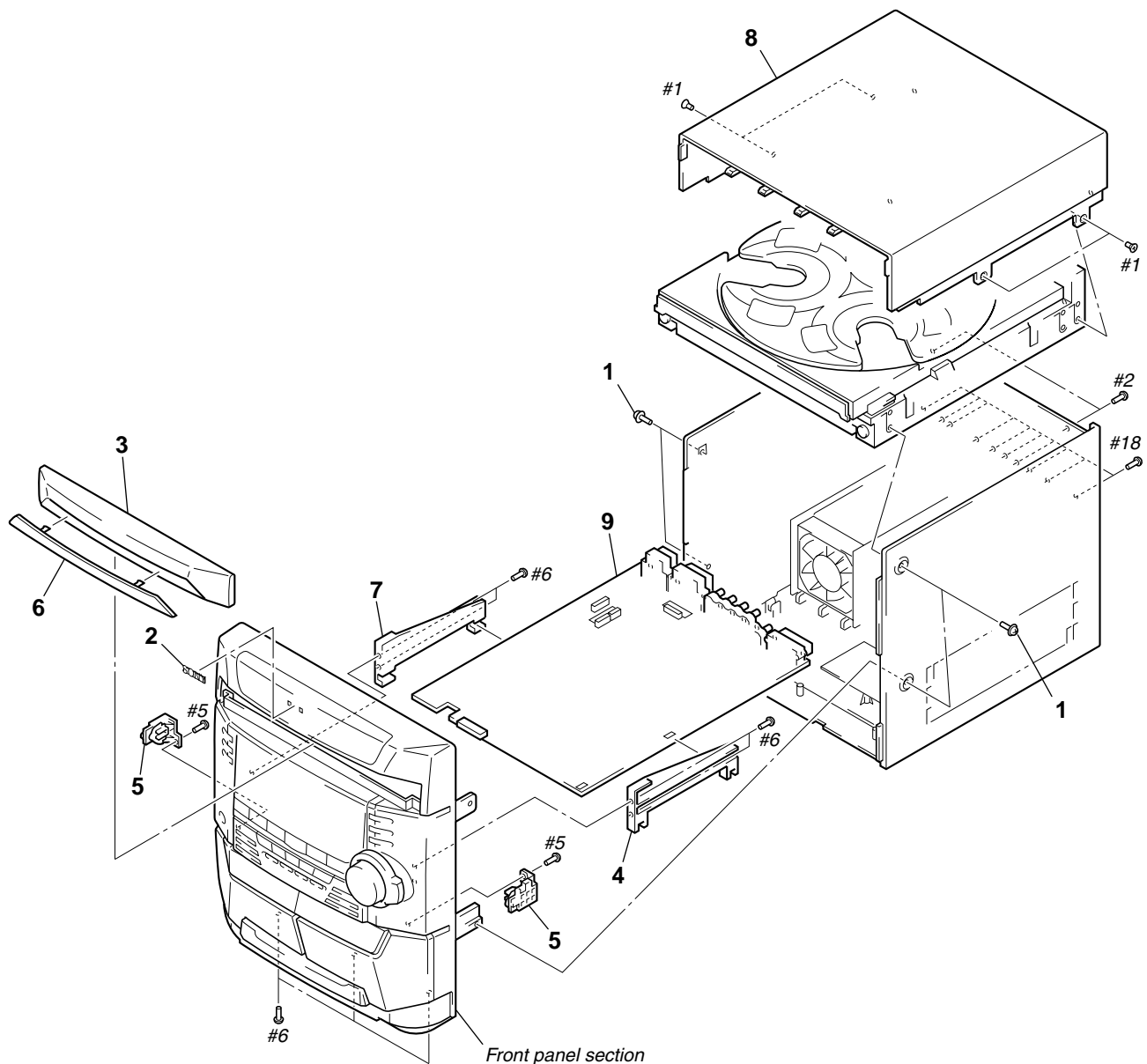
- -XX and -X mean standardized parts, so they may have some difference from the original one.
- Color Indication of Appearance Parts
Example:
KNOB, BALANCE (WHITE) . . . (RED)
 ↑ ↑
 Parts Color Cabinet's Color
- Abbreviation
CND : Canadian model

- Items marked “*” are not stocked since they are seldom required for routine service. Some delay should be anticipated when ordering these items.
- The mechanical parts with no reference number in the exploded views are not supplied.
- Hardware (# mark) list and accessories and packing materials are given in the last of the electrical parts list.

The components identified by mark \triangle or dotted line with mark \triangle are critical for safety. Replace only with part number specified.

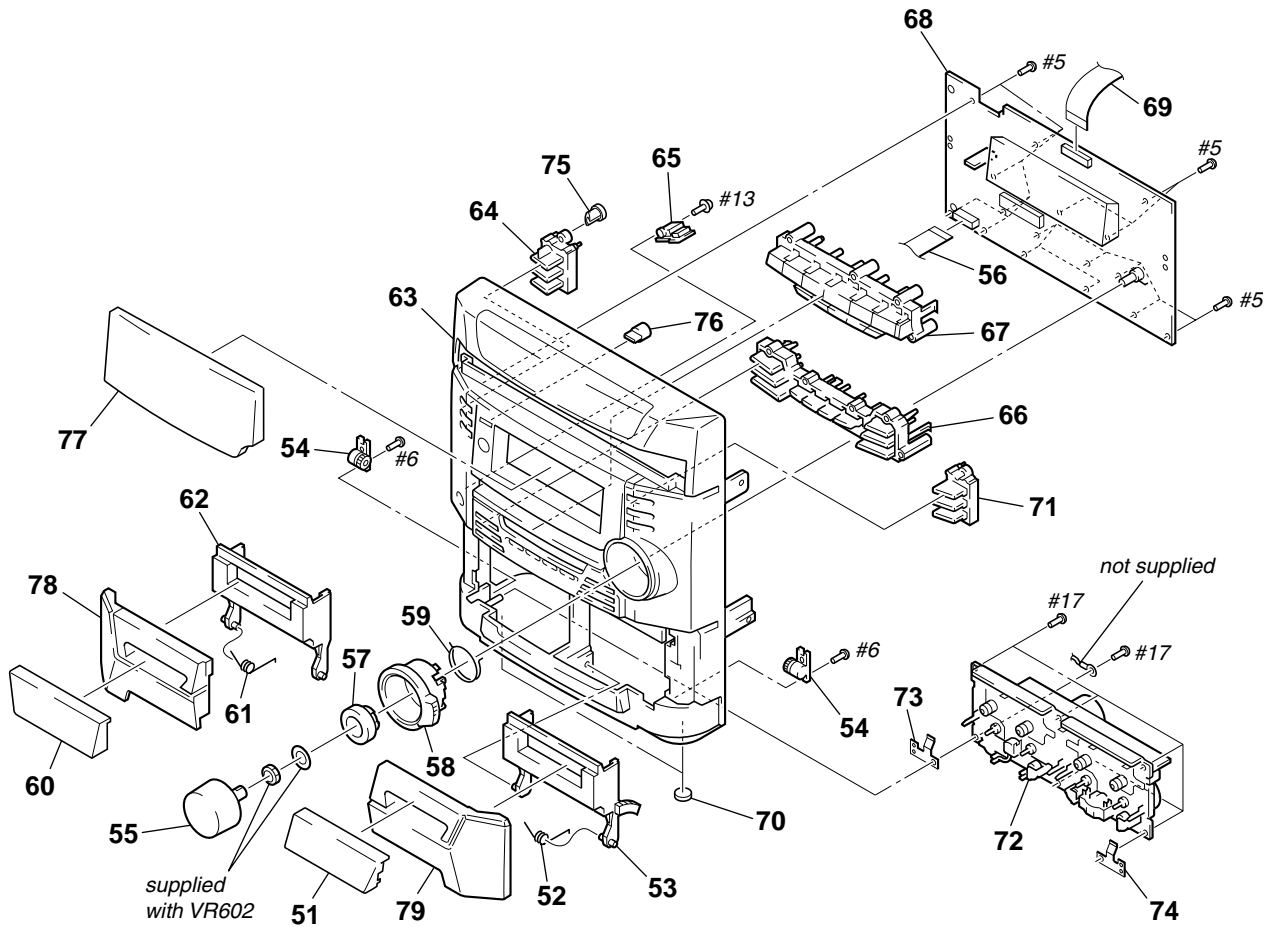
Les composants identifiés par une marque \triangle sont critiques pour la sécurité. Ne les remplacer que par une pièce portant le numéro spécifié.

(1) TOP CABINET SECTION



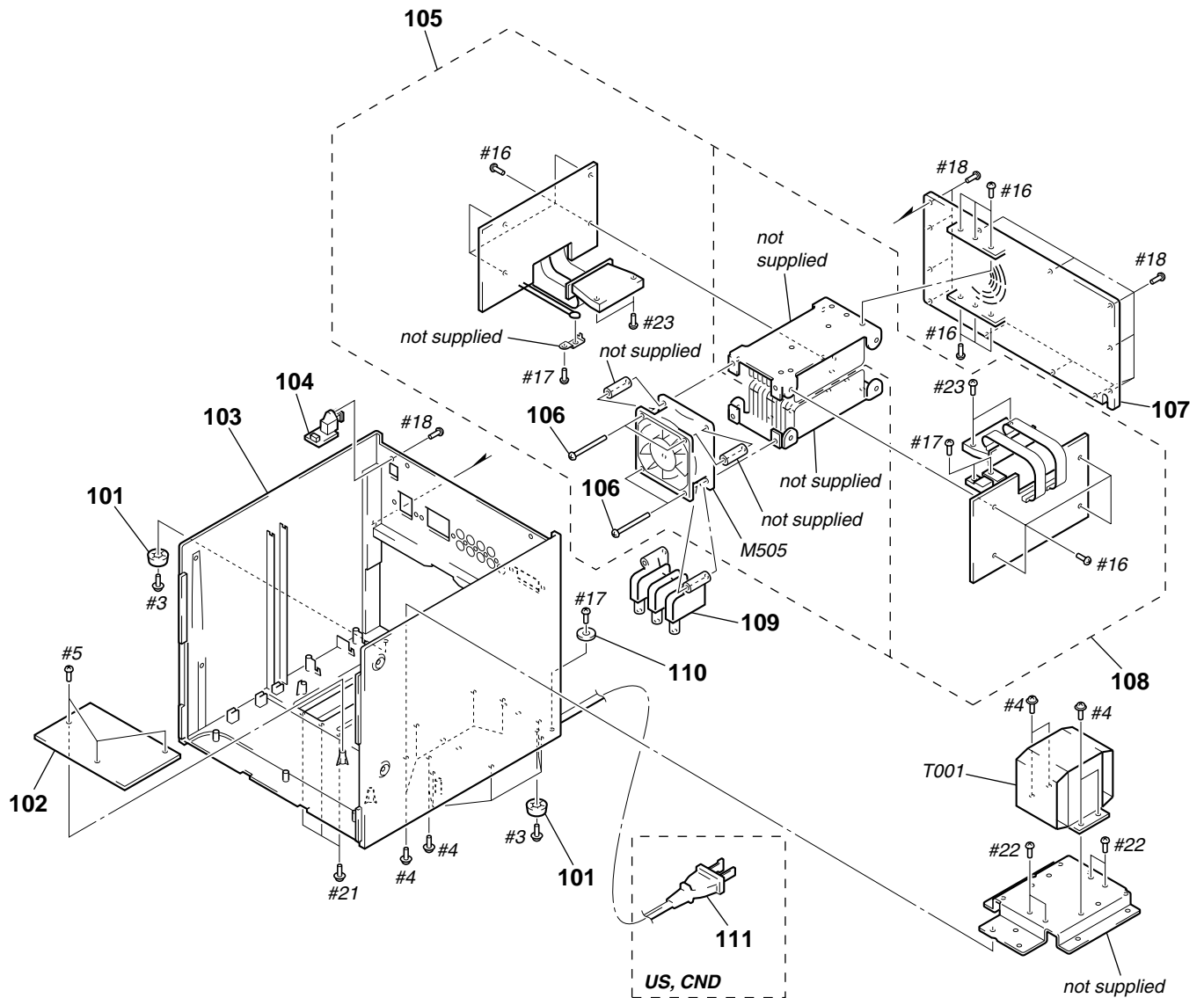
Ref. No.	Part No.	Description	Remark	Ref. No.	Part No.	Description	Remark
1	3-703-136-21	SCREW (M3X12)		6	4-229-473-01	PLATE, CD DOOR	
2	4-229-459-01	EMBLEM		7	4-230-502-01	HOLDER (L), MAIN PC BOARD	
3	4-230-489-01	DOOR, CD		8	4-229-452-01	CABINET, TOP	
4	4-230-501-01	HOLDER (R), MAIN PC BOARD		9	A-4475-116-A	MAIN BOARD, COMPLETE (US, CND)	
5	4-229-451-01	HOLDER (A), EJECT					

(2) FRONT PANEL SECTION



Ref. No.	Part No.	Description	Remark	Ref. No.	Part No.	Description	Remark
51	4-229-457-01	WINDOW (R), CASSETTE		67	4-230-496-01	BUTTON, FUNCTION (- ◀ ◻ . ■ . ▶ ▷ . ■■ . ▶▶ +. DISC SKIP EX-CHANGE. DISC 1. DISC 2. DISC 3. ▲ OPEN/CLOSE)	
52	4-229-464-01	SPRING (B), EJECT		68	A-4424-891-A	PANEL BOARD, COMPLETE	
53	4-229-460-01	HOLDER (R), CASSETTE		69	1-769-273-11	WIRE (FLAT TYPE) (22 CORE)	
54	4-220-622-01	DAMPER (GRY), GEAR		70	4-230-500-01	RUBBER, FOOT	
55	4-229-477-01	KNOB (A), VOLUME		71	4-229-475-01	BUTTON, PLAY MODE (PLAY MODE. REPEAT. EDIT)	
56	1-792-850-11	WIRE (FLAT TYPE) (16 CORE)		72	1-772-164-11	DECK, MECH (CWL-44-RR)	
57	4-230-493-01	HOLDER, VOL		73	4-229-494-01	SPRING (L), PUSHING	
58	4-229-478-01	KNOB (B), VOLUME (◀◀ ▶▶)		74	4-229-492-01	SPRING (R), PUSHING	
59	4-229-496-01	JOG, SPRING		75	4-229-476-01	LENS (POWER)	
60	4-229-458-01	WINDOW (L), CASSETTE		76	4-229-481-01	LENS (TIME)	
61	4-229-463-01	SPRING (A), EJECT		77	4-230-490-01	WINDOW, DISPLAY	
62	4-229-461-01	HOLDER (L), CASSETTE		78	4-230-491-01	DOOR (L), CASSETTE	
63	4-230-495-01	PANEL, FRONT		79	4-229-455-01	DOOR (R), CASSETTE	
64	4-229-474-01	BUTTON, POWER (I/⏻. DISPLAY. SPECTRUM)					
65	A-4475-119-A	H/P BOARD, COMPLETE					
66	4-229-479-01	BUTTON, CD FUNCTION (GROOVE. FILE SELECT. ENTER. REC. REC PAUSE. CD SYNC)					

(3) BOTTOM CABINET SECTION

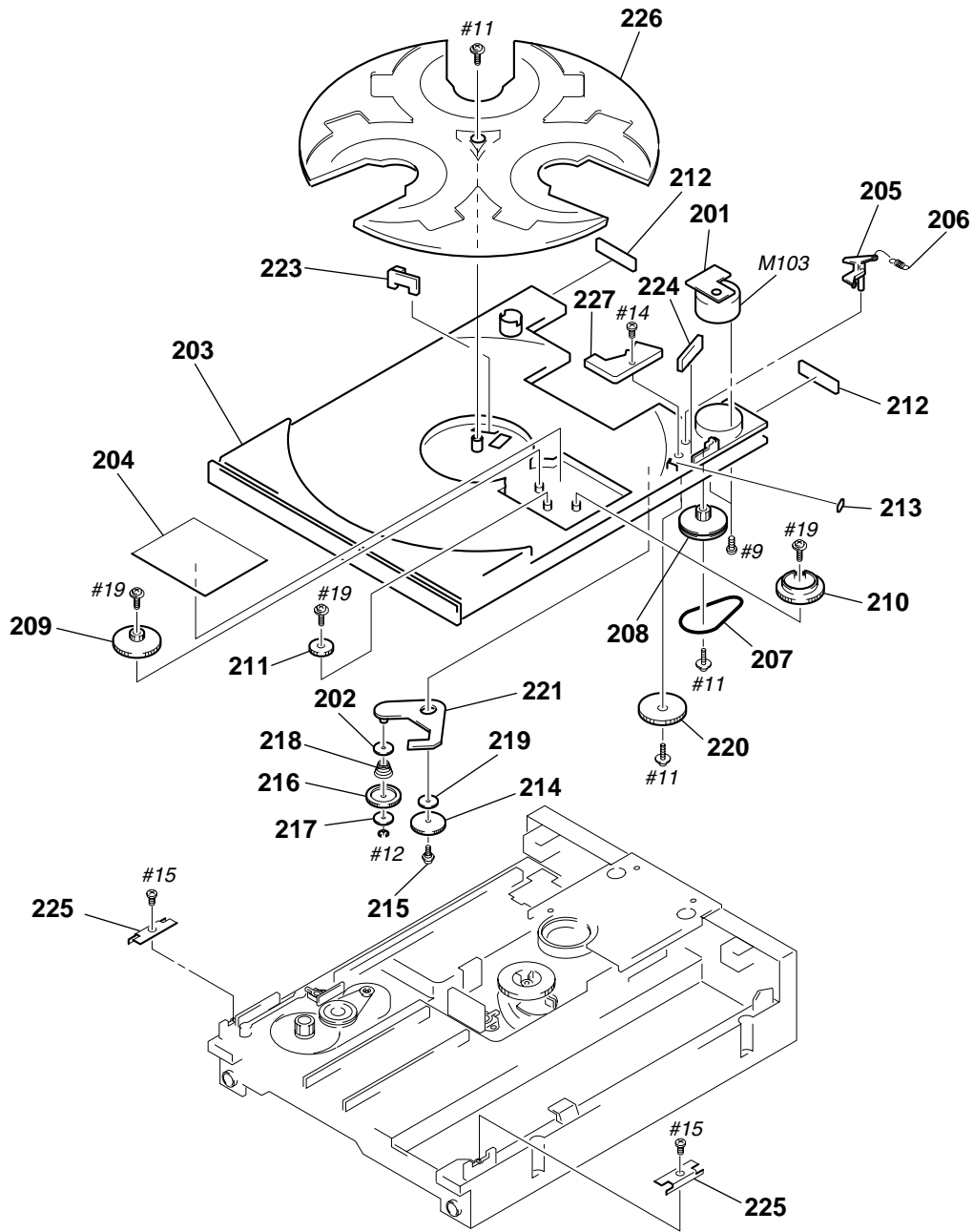


The components identified by mark Δ or dotted line with mark Δ are critical for safety. Replace only with part number specified.

Les composants identifiés par une marque Δ sont critiques pour la sécurité. Ne les remplacer que par une pièce portant le numéro spécifié.

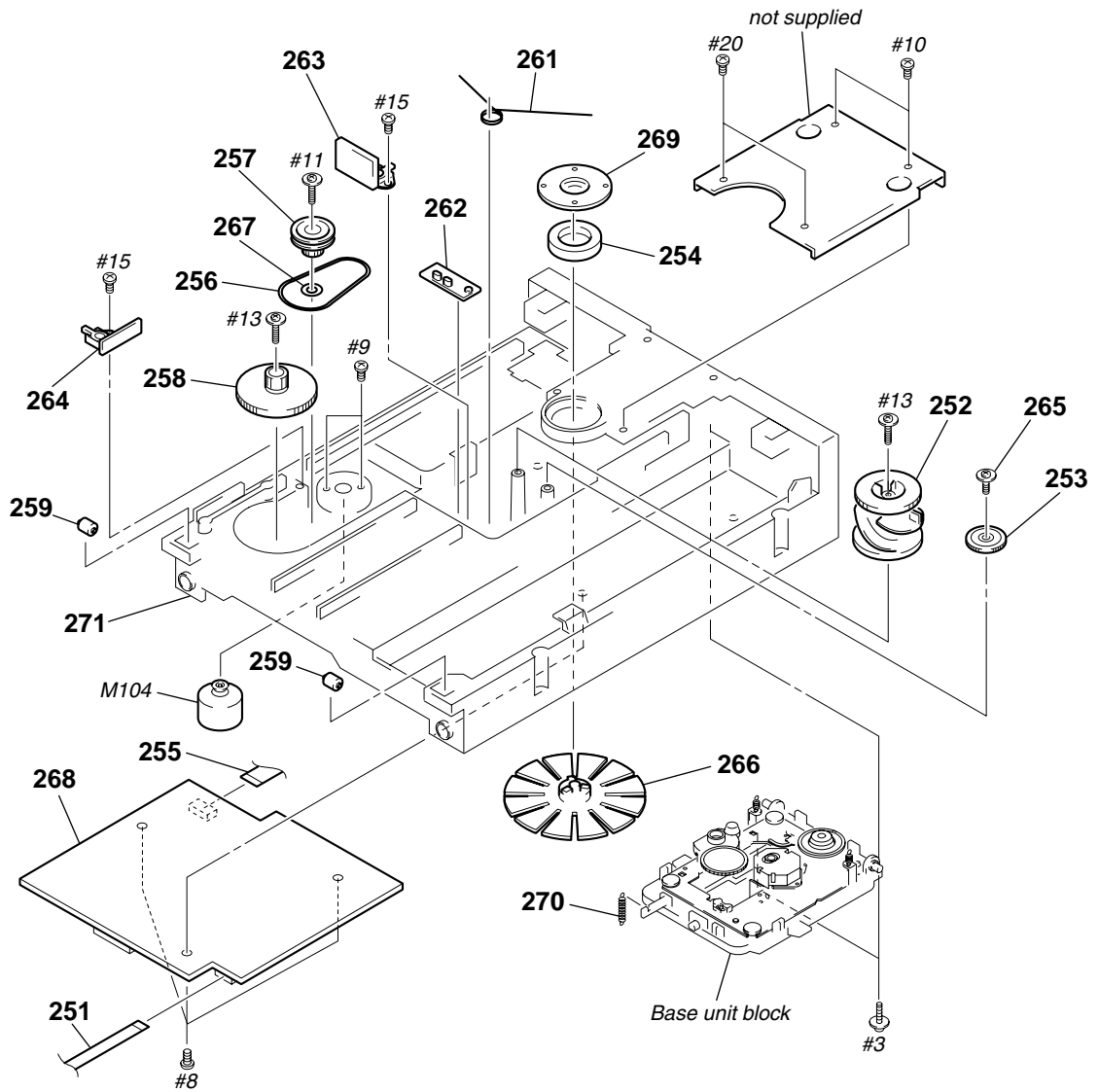
Ref. No.	Part No.	Description	Remark	Ref. No.	Part No.	Description	Remark
101	4-230-507-01	FOOT (B)		108	A-4475-114-A	CENTER/REAR BOARD, COMPLETE (US, CND)	
102	A-4475-115-A	BACK UP BOARD, COMPLETE (US, CND)		109	4-230-494-01	HOLDER, MAIN CHASSIS	
103	4-230-504-01	CABINET, BOTTOM		110	4-229-497-01	WASHER, AC CORD	
104	A-4473-612-A	PHOTO SOCKET BOARD, COMPLETE		Δ 111	1-783-531-51	CORD, POWER (US, CND)	
105	A-4475-113-A	FRONT BOARD, COMPLETE		M505	1-763-410-11	FAN, DC	
106	4-230-508-01	SCREW (3X30)		Δ T001	1-435-714-11	TRANSFORMER, POWER (US, CND)	
107	4-230-505-01	COVER, REAR					

(4) CD MECHANISM DECK SECTION-1
(EXL-M7)



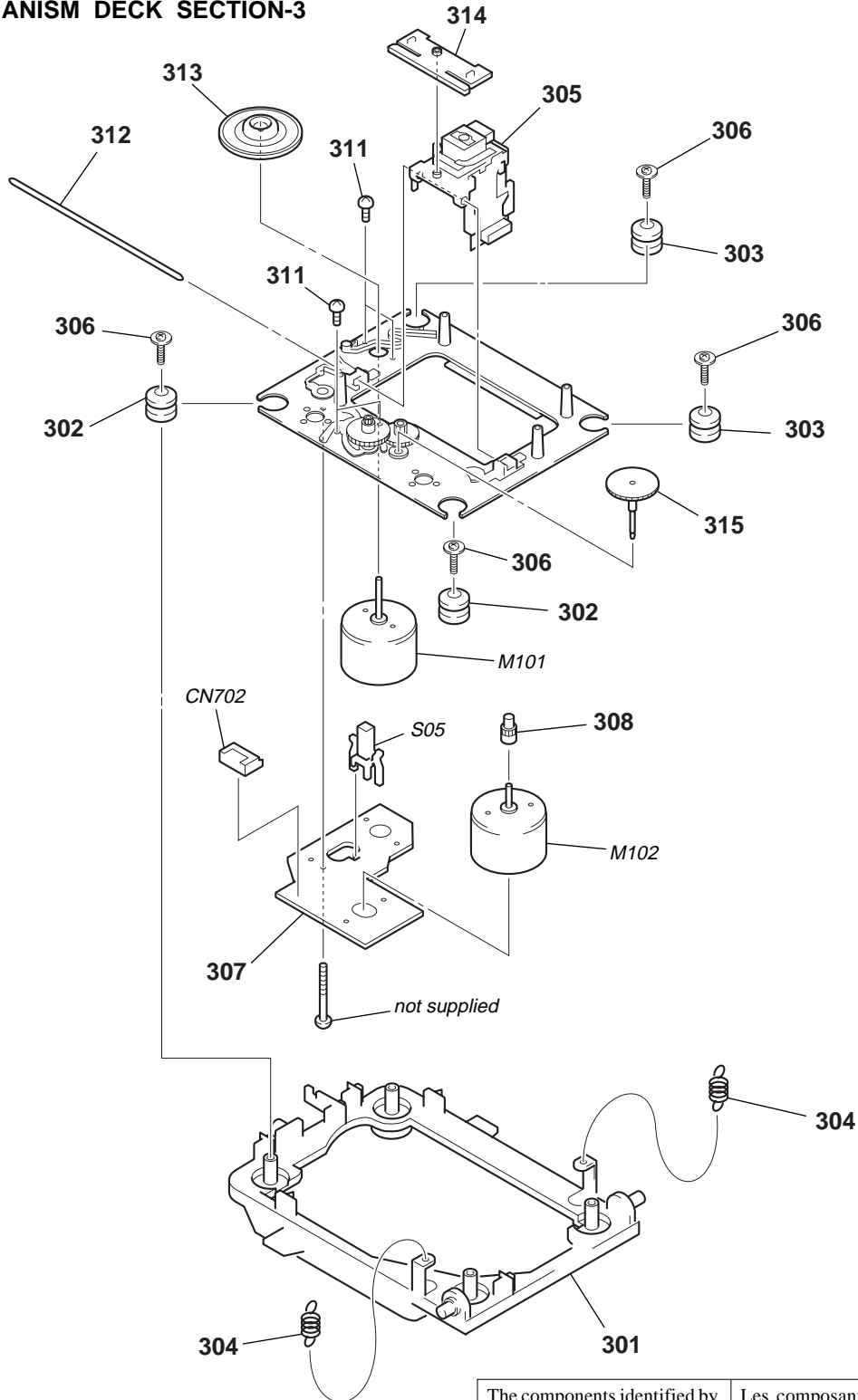
Ref. No.	Part No.	Description	Remark	Ref. No.	Part No.	Description	Remark
201	1-674-792-11	MOTOR BOARD		215	4-992-183-01	SCREW, RELAY GEAR (B)	
202	4-229-502-01	PLATE (A), CHANGER		216	4-992-174-01	GEAR, CHANGE	
203	4-229-503-01	BASE, CHANGER		217	4-992-184-01	WASHER, CHANGE GEAR	
204	4-221-895-01	SHEET, BLIND		218	4-229-505-01	SPRING, CHANGE GEAR	
205	4-221-896-01	LEVER, SENSOR SW		219	4-992-185-01	WASHER, CHANGE PLATE	
206	4-992-182-01	SPRING, SENSOR (SW) LEVER		220	4-992-172-01	GEAR (A), RELAY	
207	4-992-170-01	BELT, LOADING		221	4-221-902-01	PLATE, T/T	
208	4-992-171-01	PULLEY, GEAR		223	1-674-789-11	SW B BOARD	
209	4-221-894-01	GEAR, TR		224	1-674-788-11	SW A BOARD	
210	4-229-504-01	GEAR, TR LOCK		225	4-229-499-01	GUIDE, RAIL	
211	4-221-893-01	GEAR (C), RELAY		226	4-229-529-01	TABLE, TURN	
212	4-992-187-01	CUSHION		227	4-229-500-01	PROTECTOR, TURN TABLE	
213	4-992-186-01	CUSHION, SW LEVER		M103	X-4948-765-1	MOTOR ASSY (DISC TABLE TURN)	
214	4-992-173-01	GEAR (B), RELAY					

(5) CD MECHANISM DECK SECTION-2
(EXL-M7)



Ref. No.	Part No.	Description	Remark	Ref. No.	Part No.	Description	Remark
251	1-769-856-11	WIRE (FLAT TYPE) (5 CORE)		263	1-674-791-11	SW D BOARD	
252	4-221-897-01	CAM, UD		264	1-674-790-11	SW C BOARD	
253	4-992-191-01	UD-GEAR		265	4-229-512-01	SCREW, FLANGE	
254	4-992-195-01	MAGNET		266	4-229-509-01	HOLDER, MAGNET	
255	1-775-133-11	WIRE (FLAT TYPE) (15 CORE)		267	4-229-511-01	WASHER, POLYETHYLENE	
256	4-992-197-01	BELT, LOADING GEAR		268	A-4473-611-A	DECORD BOARD, COMPLETE	
257	4-992-198-01	PULLEY (B), GEAR		269	4-221-900-01	COVER, MAGNET	
258	4-992-199-01	GEAR, SLIDE		270	4-221-903-01	SPRING, MECHANICAL BASE	
259	4-992-200-01	ROLLER		271	4-229-510-01	CHASSIS, MAIN	
261	4-992-192-01	SPRING, BRAKE CAM		M104	X-4948-766-1	MOTOR ASSY (A) (DISC TRAY SLIDE)	
262	4-992-193-01	LEVER, SW					

(6) CD MECHANISM DECK SECTION-3



<p>The components identified by mark \triangle or dotted line with mark \triangle are critical for safety. Replace only with part number specified.</p>	<p>Les composants identifiés par une marque \triangle sont critiques pour la sécurité. Ne les remplacer que par une pièce portant le numéro spécifié.</p>
---	--

Ref. No.	Part No.	Description	Remark	Ref. No.	Part No.	Description	Remark
301	4-229-508-01	BASE, KSM MECHANICAL		312	4-237-286-01	CD SHAFT	
302	4-992-165-01	DAMPER (GREEN)		313	4-237-318-01	TURN TABLE	
303	4-992-166-01	DAMPER (RED)		314	4-237-315-01	CD RACK	
304	4-992-167-01	SPRING, MECHANICAL BASE		315	4-237-316-01	MECHA GEAR	
\triangle 305	1-796-266-11	OPTICAL PICK-UP		CN702	1-564-722-11	PIN, CONNECTOR (SMALL TYPE) 6P	
306	3-319-501-51	SCREW (+ PTPWH) (2.6X16)		M101	1-541-352-12	MOTOR (SPINDLE)	
307	4-237-319-01	PC BOARD		M102	1-541-353-12	MOTOR (SLED)	
308	4-237-317-01	PINION GEAR		S05	1-572-085-11	SWITCH, LEAF (LIMIT)	
311	3-713-786-51	SCREW (M2X3)					

SECTION 6 ELECTRICAL PARTS LIST

BACK UP

CENTER/REAR

NOTE:

- Due to standardization, replacements in the parts list may be different from the parts specified in the diagrams or the components used on the set.
- -XX and -X mean standardized parts, so they may have some difference from the original one.
- **RESISTORS**
All resistors are in ohms.
METAL: Metal-film resistor.
METAL OXIDE: Metal oxide-film resistor.
F: nonflammable
- Abbreviation
CND : Canadian model

- Items marked “*” are not stocked since they are seldom required for routine service. Some delay should be anticipated when ordering these items.
- **SEMICONDUCTORS**
In each case, u: μ , for example:
uA. . . : μ A. . . uPA. . . : μ PA. . .
uPB. . . : μ PB. . . uPC. . . : μ PC. . .
uPD. . . : μ PD. . .
- **CAPACITORS**
uF: μ F
- **COILS**
uH: μ H

The components identified by mark Δ or dotted line with mark Δ are critical for safety. Replace only with part number specified.

Les composants identifiés par une marque Δ sont critiques pour la sécurité. Ne les remplacer que par une pièce portant le numéro spécifié.

When indicating parts by reference number, please include the board.

Ref. No.	Part No.	Description	Remark	Ref. No.	Part No.	Description	Remark
	A-4475-115-A	BACK UP BOARD, COMPLETE (US, CND)				< TRANSFORMER >	

*	1-533-213-31	HOLDER, FUSE		Δ T002	1-435-612-11	TRANSFORMER, POWER	

		< CAPACITOR >			A-4475-114-A	CENTER/REAR BOARD, COMPLETE (US, CND)	

	C002	1-104-665-11	ELECT	100uF	20%	10V	
	C003	1-161-494-00	CERAMIC	0.022uF		25V	
	C004	1-104-665-11	ELECT	100uF	20%	10V	
	C005	1-126-943-11	ELECT	2200uF	20%	25V	
	C006	1-161-494-00	CERAMIC	0.022uF		25V	
	C007	1-161-494-00	CERAMIC	0.022uF		25V	
Δ C001A	1-113-924-11	CERAMIC		0.0047uF	20%	250V	
		< CONNECTOR >					
* CN001	1-564-510-11	PLUG, CONNECTOR 7P				< CAPACITOR >	
		< DIODE >					
	D001	8-719-067-67	DIODE W02G				
	D003	8-719-911-19	DIODE 1SS133T-72				
	D004	8-719-010-44	DIODE UZ-6.2BS				
		< FUSE >					
Δ F001	1-576-193-11	FUUSE (6.3A/125V)					
Δ F002	1-576-193-11	FUUSE (6.3A/125V)					
Δ F003	1-576-193-11	FUUSE (6.3A/125V)					
Δ F004	1-576-193-11	FUUSE (6.3A/125V)					
		< TRANSISTOR >					
	Q001	8-729-194-57	TRANSISTOR 2SC945TP-P				
	Q002	8-729-142-46	TRANSISTOR 2SC2001-L				
		< RESISTOR >					
Δ R001	1-219-238-11	SOLID	4.7M	20%		1/2W F	
						(US, CND)	
	R002	1-247-847-11	CARBON	4.7K	5%	1/4W	
	R003	1-247-688-11	CARBON	10	5%	1/4W	
	R004	1-249-417-11	CARBON	1K	5%	1/4W	
		< RELAY >					
Δ RL001	1-515-999-11	RELAY, POWER					
	C501	1-161-494-00	CERAMIC	0.022uF		25V	
	C502	1-161-494-00	CERAMIC	0.022uF		25V	
	C503	1-126-943-11	ELECT	2200uF	20%	25V	
	C504	1-126-934-11	ELECT	220uF	20%	16V	
	C505	1-161-494-00	CERAMIC	0.022uF		25V	
	C506	1-161-494-00	CERAMIC	0.022uF		25V	
	C507	1-126-935-11	ELECT	470uF	20%	16V	
	C508	1-104-665-11	ELECT	100uF	20%	10V	
	C509	1-161-494-00	CERAMIC	0.022uF		25V	
	C510	1-161-494-00	CERAMIC	0.022uF		25V	
	C511	1-126-925-11	ELECT	470uF	20%	10V	
	C512	1-161-494-00	CERAMIC	0.022uF		25V	
	C513	1-161-494-00	CERAMIC	0.022uF		25V	
	C514	1-126-961-11	ELECT	2.2uF	20%	50V	
	C515	1-162-302-11	CERAMIC	0.0022uF	20%	16V	
	C516	1-162-302-11	CERAMIC	0.0022uF	20%	16V	
	C517	1-109-953-11	ELECT	2.2uF	20%	50V	
	C518	1-109-953-11	ELECT	2.2uF	20%	50V	
	C519	1-162-193-31	CERAMIC	3.3PF	10%	50V	
	C520	1-162-193-31	CERAMIC	3.3PF	10%	50V	
	C521	1-137-399-11	MYLAR	0.1uF	5%	100V	
	C522	1-137-399-11	MYLAR	0.1uF	5%	100V	
	C523	1-126-966-11	ELECT	33uF	20%	16V	
	C524	1-126-966-11	ELECT	33uF	20%	16V	
	C528	1-126-964-11	ELECT	10uF	20%	50V	
	C529	1-126-964-11	ELECT	10uF	20%	50V	
	C530	1-107-714-11	ELECT	10uF	20%	50V	
	C531	1-107-714-11	ELECT	10uF	20%	50V	
	C582	1-137-399-11	MYLAR	0.1uF	5%	100V	
	C583	1-162-193-31	CERAMIC	3.3PF	10%	50V	
	C584	1-126-966-11	ELECT	33uF	20%	16V	

CENTER/REAR

DECORD

Ref. No.	Part No.	Description			Remark
C585	1-109-953-11	ELECT	2.2uF	20%	50V
C586	1-162-302-11	CERAMIC	0.0022uF	20%	16V
C590	1-107-713-11	ELECT	4.7uF	20%	50V
C593	1-162-286-31	CERAMIC	220PF	10%	50V
C594	1-162-286-31	CERAMIC	220PF	10%	50V
C595	1-162-286-31	CERAMIC	220PF	10%	50V
C599	1-128-551-11	ELECT	22uF	20%	25V
< CONNECTOR >					
* CN501	1-564-506-11	PLUG, CONNECTOR 3P			
< DIODE >					
D501	8-719-031-85	DIODE 1N4002L			
D502	8-719-031-85	DIODE 1N4002L			
D503	8-719-031-85	DIODE 1N4002L			
D504	8-719-031-85	DIODE 1N4002L			
D505	8-719-031-85	DIODE 1N4002L			
D506	8-719-010-76	DIODE UZ-13BS			
D507	8-719-110-08	DIODE UZ-8.2BS			
D508	8-719-911-19	DIODE 1SS133T-72			
D509	8-719-911-19	DIODE 1SS133T-72			
D511	8-719-911-19	DIODE 1SS133T-72			
D527	8-719-911-19	DIODE 1SS133T-72			
D528	8-719-911-19	DIODE 1SS133T-72			
D529	8-719-911-19	DIODE 1SS133T-72			
D581	8-719-911-19	DIODE 1SS133T-72			
D599	8-719-911-19	DIODE 1SS133T-72			
< FUSE >					
△ F501	1-576-104-11	FUSE (2A/250V) (US, CND)			
< IC >					
IC501	8-749-018-11	IC STK402-270			
< TRANSISTOR >					
Q501	8-729-822-89	TRANSISTOR 2SD1667-R			
Q502	8-729-188-23	TRANSISTOR 2SD882-P			
Q503	8-729-184-53	TRANSISTOR 2SC1841-EA			
Q504	8-729-184-53	TRANSISTOR 2SC1841-EA			
Q521	8-729-231-55	TRANSISTOR 2SC2878-A			
Q522	8-729-231-55	TRANSISTOR 2SC2878-A			
Q523	8-729-231-55	TRANSISTOR 2SC2878-A			
Q581	8-729-184-53	TRANSISTOR 2SC1841-EA			
< RESISTOR >					
R501	1-247-708-11	CARBON	470	5%	1/4W
R502	1-246-461-15	CARBON	330	5%	1/4W
R503	1-247-855-11	CARBON	10K	5%	1/4W
R504	1-247-863-11	CARBON	22K	5%	1/4W
R505	1-247-863-11	CARBON	22K	5%	1/4W
R506	1-249-438-11	CARBON	56K	5%	1/4W
R507	1-249-438-11	CARBON	56K	5%	1/4W
R508	1-249-420-11	CARBON	1.8K	5%	1/4W
R509	1-249-420-11	CARBON	1.8K	5%	1/4W
R510	1-249-438-11	CARBON	56K	5%	1/4W
R511	1-249-438-11	CARBON	56K	5%	1/4W
R512	1-249-455-11	CARBON	4.7	5%	1/4W

Ref. No.	Part No.	Description			Remark
R513	1-249-455-11	CARBON	4.7	5%	1/4W
R514	1-249-464-11	CARBON	39K	5%	1/4W
R515	1-247-726-11	CARBON	33K	5%	1/4W
R516	1-247-713-11	CARBON	1K	5%	1/4W
R517	1-247-713-11	CARBON	1K	5%	1/4W
R518	1-249-431-11	CARBON	15K	5%	1/4W
R519	1-249-431-11	CARBON	15K	5%	1/4W
△ R520	1-220-755-11	METAL	0.22	10%	2W F
△ R521	1-220-755-11	METAL	0.22	10%	2W F
R522	1-247-863-11	CARBON	22K	5%	1/4W
R523	1-247-879-11	CARBON	100K	5%	1/4W
R524	1-247-871-11	CARBON	47K	5%	1/4W
R534	1-247-855-11	CARBON	10K	5%	1/4W
R535	1-249-459-11	CARBON	12K	5%	1/4W
R536	1-249-459-11	CARBON	12K	5%	1/4W
△ R581	1-220-755-11	METAL	0.22	10%	2W F
R582	1-247-726-11	CARBON	33K	5%	1/4W
R583	1-247-713-11	CARBON	1K	5%	1/4W
R584	1-249-431-11	CARBON	15K	5%	1/4W
R585	1-249-455-11	CARBON	4.7	5%	1/4W
R586	1-249-438-11	CARBON	56K	5%	1/4W
R587	1-249-420-11	CARBON	1.8K	5%	1/4W
R588	1-249-438-11	CARBON	56K	5%	1/4W
R590	1-247-871-11	CARBON	47K	5%	1/4W
R593	1-247-871-11	CARBON	47K	5%	1/4W
R594	1-247-839-11	CARBON	2.2K	5%	1/4W
R595	1-247-839-11	CARBON	2.2K	5%	1/4W
R598	1-247-855-11	CARBON	10K	5%	1/4W
R599	1-247-863-11	CARBON	22K	5%	1/4W
R514A	1-247-879-11	CARBON	100K	5%	1/4W
R515A	1-247-879-11	CARBON	100K	5%	1/4W
△ R520A	1-220-755-11	METAL	0.22	10%	2W F
△ R521A	1-220-755-11	METAL	0.22	10%	2W F
△ R581A	1-220-755-11	METAL	0.22	10%	2W F
R582A	1-249-469-11	CARBON	100K	5%	1/4W
R591A	1-247-839-11	CARBON	2.2K	5%	1/4W
R592A	1-247-871-11	CARBON	47K	5%	1/4W

A-4473-611-A		DECORD BOARD, COMPLETE			

< CAPACITOR >					
C701	1-104-664-11	ELECT	47uF	20%	16V
C702	1-137-352-11	MYLAR	0.033uF	5%	100V
C703	1-137-150-11	MYLAR	0.01uF	5%	100V
C704	1-137-352-11	MYLAR	0.033uF	5%	100V
C705	1-137-150-11	MYLAR	0.01uF	5%	100V
C706	1-128-551-11	ELECT	22uF	20%	25V
C707	1-162-209-31	CERAMIC	27PF	5%	50V
C708	1-164-159-11	CERAMIC	0.1uF		50V
C711	1-162-600-11	CERAMIC	0.0047uF	10%	16V
C712	1-162-306-11	CERAMIC	0.01uF	20%	16V
C713	1-136-291-11	MYLAR	0.0068uF	5%	100V
C714	1-137-397-11	MYLAR	0.047uF	5%	100V
C715	1-161-494-00	CERAMIC	0.022uF		25V
C716	1-137-399-11	MYLAR	0.1uF	5%	100V
C717	1-104-665-11	ELECT	100uF	20%	10V

The components identified by mark △ or dotted line with mark △ are critical for safety. Replace only with part number specified.

Les composants identifiés par une marque △ sont critiques pour la sécurité. Ne les remplacer que par une pièce portant le numéro spécifié.

Ref. No.	Part No.	Description	Remark	Ref. No.	Part No.	Description	Remark
C718	1-104-665-11	ELECT	100uF 20% 10V	C790	1-126-926-11	ELECT	1000uF 20% 10V
C719	1-137-399-11	MYLAR	0.1uF 5% 100V	C791	1-164-159-11	CERAMIC	0.1uF 50V
C720	1-137-389-11	MYLAR	0.0022uF 5% 100V	C792	1-162-286-31	CERAMIC	220PF 10% 50V
C721	1-137-399-11	MYLAR	0.1uF 5% 100V	C793	1-162-294-31	CERAMIC	0.001uF 10% 50V
C722	1-137-399-11	MYLAR	0.1uF 5% 100V	C794	1-162-294-31	CERAMIC	0.001uF 10% 50V
C723	1-137-399-11	MYLAR	0.1uF 5% 100V	C795	1-164-159-11	CERAMIC	0.1uF 50V
C724	1-107-713-11	ELECT	4.7uF 20% 50V	C797	1-164-159-11	CERAMIC	0.1uF 50V
C725	1-137-352-11	MYLAR	0.033uF 5% 100V	C798	1-126-963-11	ELECT	4.7uF 20% 50V
C726	1-130-486-00	MYLAR	0.018uF 10% 50V	C799	1-161-494-00	CERAMIC	0.022uF 25V
C727	1-162-199-31	CERAMIC	10PF 5% 50V	C726A	1-164-206-41	CERAMIC	0.047uF 99% 50V
C728	1-137-398-11	MYLAR	0.068uF 5% 100V	C727A	1-164-159-11	CERAMIC	0.1uF 50V
C729	1-126-962-11	ELECT	3.3uF 20% 50V	C740A	1-162-600-11	CERAMIC	0.0047uF 10% 16V
C730	1-162-215-31	CERAMIC	47PF 5% 50V	C740B	1-162-600-11	CERAMIC	0.0047uF 10% 16V
C731	1-164-159-11	CERAMIC	0.1uF 50V	C740C	1-162-600-11	CERAMIC	0.0047uF 10% 16V
C732	1-161-494-00	CERAMIC	0.022uF 25V	C740D	1-162-600-11	CERAMIC	0.0047uF 10% 16V
C733	1-104-665-11	ELECT	100uF 20% 10V	C751A	1-164-159-11	CERAMIC	0.1uF 50V
C734	1-164-159-11	CERAMIC	0.1uF 50V	C771A	1-161-494-00	CERAMIC	0.022uF 25V
C736	1-162-294-31	CERAMIC	0.001uF 10% 50V	C777A	1-161-494-00	CERAMIC	0.022uF 25V
C737	1-162-306-11	CERAMIC	0.01uF 20% 16V	C789A	1-164-159-11	CERAMIC	0.1uF 50V
C740	1-126-925-11	ELECT	470uF 20% 10V	C790A	1-161-494-00	CERAMIC	0.022uF 25V
C742	1-161-494-00	CERAMIC	0.022uF 25V	C799A	1-104-665-11	ELECT	100uF 20% 10V
C743	1-126-927-11	ELECT	2200uF 20% 10V	C799B	1-104-665-11	ELECT	100uF 20% 10V
C745	1-162-306-11	CERAMIC	0.01uF 20% 16V	< CONNECTOR >			
C746	1-107-713-11	ELECT	4.7uF 20% 35V	CN701	1-774-757-11	CONNECTOR, FFC/FPC 15P	
C751	1-162-306-11	CERAMIC	0.01uF 20% 16V	* CN705	1-568-822-11	SOCKET, CONNECTOR 22P	
C753	1-161-494-00	CERAMIC	0.022uF 25V	* CN706	1-568-824-11	SOCKET, CONNECTOR 5P	
C754	1-104-665-11	ELECT	100uF 20% 10V	* CN707	1-564-709-11	PIN, CONNECTOR (SMALL TYPE) 7P	
C755	1-104-665-11	ELECT	100uF 20% 10V	< DIODE >			
C756	1-107-357-11	MYLAR	0.47uF 5% 100V	D703	8-719-991-33	DIODE 1SS133T-77	
C757	1-162-306-11	CERAMIC	0.01uF 20% 16V	D706	8-719-010-40	DIODE UZ-5.6BS	
C759	1-162-290-31	CERAMIC	470PF 10% 50V	< IC >			
C760	1-162-286-31	CERAMIC	220PF 10% 50V	IC701	8-752-082-14	IC CXA1992BR	
C761	1-130-781-00	MYLAR	0.22uF 5% 100V	IC702	8-752-384-13	IC CXD2589Q	
C762	1-137-150-11	MYLAR	0.01uF 5% 100V	IC703	8-759-579-80	IC BA5936S	
C763	1-161-494-00	CERAMIC	0.022uF 25V	IC704	8-759-234-75	IC TC74HC4094AP	
C765	1-162-294-31	CERAMIC	0.001uF 10% 50V	< COIL >			
C766	1-162-294-31	CERAMIC	0.001uF 10% 50V	L704	1-410-526-11	INDUCTOR 10uH	
C767	1-162-294-31	CERAMIC	0.001uF 10% 50V	L705	1-410-526-11	INDUCTOR 10uH	
C768	1-162-294-31	CERAMIC	0.001uF 10% 50V	< TRANSISTOR >			
C769	1-162-294-31	CERAMIC	0.001uF 10% 50V	Q701	8-729-195-23	TRANSISTOR 2SA952-L	
C770	1-164-159-11	CERAMIC	0.1uF 50V	Q704	8-729-142-46	TRANSISTOR 2SC2001-L	
C771	1-161-494-00	CERAMIC	0.022uF 25V	Q712	8-729-194-57	TRANSISTOR 2SC945TP-P	
C772	1-161-494-00	CERAMIC	0.022uF 25V	< RESISTOR >			
C773	1-102-516-11	CERAMIC	27PF 5% 50V	R701	1-249-397-11	CARBON 22 5% 1/4W	
C774	1-102-516-11	CERAMIC	27PF 5% 50V	R704	1-247-854-11	CARBON 9.1K 5% 1/4W	
C777	1-162-294-31	CERAMIC	0.001uF 10% 50V	R705	1-247-849-11	CARBON 5.6K 5% 1/4W	
C778	1-162-294-31	CERAMIC	0.001uF 10% 50V	R706	1-249-428-11	CARBON 8.2K 5% 1/4W	
C779	1-162-282-31	CERAMIC	100PF 10% 50V	R707	1-247-903-00	CARBON 1M 5% 1/4W	
C780	1-162-294-31	CERAMIC	0.001uF 10% 50V	R709	1-247-806-11	CARBON 91 5% 1/4W	
C781	1-162-284-31	CERAMIC	150PF 10% 50V	R710	1-247-881-00	CARBON 120K 5% 1/4W	
C782	1-162-284-31	CERAMIC	150PF 10% 50V	R711	1-247-883-00	CARBON 150K 5% 1/4W	
C783	1-162-292-31	CERAMIC	680PF 10% 50V	R719	1-247-883-00	CARBON 150K 5% 1/4W	
C784	1-162-292-31	CERAMIC	680PF 10% 50V				
C785	1-126-963-11	ELECT	4.7uF 20% 50V				
C786	1-126-963-11	ELECT	4.7uF 20% 50V				
C787	1-162-294-31	CERAMIC	0.001uF 10% 50V				
C788	1-162-294-31	CERAMIC	0.001uF 10% 50V				
C789	1-164-159-11	CERAMIC	0.1uF 50V				

Ref. No.	Part No.	Description	Remark
R720	1-247-891-00	CARBON	330K 5% 1/4W
R721	1-247-885-00	CARBON	180K 5% 1/4W
R722	1-247-807-11	CARBON	100 5% 1/4W
R723	1-247-855-11	CARBON	10K 5% 1/4W
R724	1-249-428-11	CARBON	8.2K 5% 1/4W
R725	1-247-899-11	CARBON	680K 5% 1/4W
R726	1-247-883-00	CARBON	150K 5% 1/4W
R727	1-247-896-11	CARBON	510K 5% 1/4W
R728	1-249-459-11	CARBON	12K 5% 1/4W
R729	1-249-439-11	CARBON	68K 5% 1/4W
R730	1-247-871-11	CARBON	47K 5% 1/4W
R731	1-249-417-11	CARBON	1K 5% 1/4W
R732	1-247-883-00	CARBON	150K 5% 1/4W
R733	1-249-430-11	CARBON	12K 5% 1/4W
R734	1-247-883-00	CARBON	150K 5% 1/4W
R735	1-247-879-11	CARBON	100K 5% 1/4W
R736	1-249-459-11	CARBON	12K 5% 1/4W
R737	1-249-417-11	CARBON	1K 5% 1/4W
R739	1-249-459-11	CARBON	12K 5% 1/4W
R740	1-249-432-11	CARBON	18K 5% 1/4W
R741	1-249-432-11	CARBON	18K 5% 1/4W
R743	1-249-430-11	CARBON	12K 5% 1/4W
R744	1-249-461-11	CARBON	18K 5% 1/4W
R745	1-249-461-11	CARBON	18K 5% 1/4W
R746	1-249-461-11	CARBON	18K 5% 1/4W
R747	1-249-432-11	CARBON	18K 5% 1/4W
R748	1-247-847-11	CARBON	4.7K 5% 1/4W
R753	1-247-847-11	CARBON	4.7K 5% 1/4W
R755	1-247-871-11	CARBON	47K 5% 1/4W
R756	1-249-417-11	CARBON	1K 5% 1/4W
R758	1-247-871-11	CARBON	47K 5% 1/4W
R759	1-247-843-11	CARBON	3.3K 5% 1/4W
R760	1-249-417-11	CARBON	1K 5% 1/4W
R761	1-247-855-11	CARBON	10K 5% 1/4W
R762	1-247-903-00	CARBON	1M 5% 1/4W
R763	1-247-881-00	CARBON	120K 5% 1/4W
R764	1-247-855-11	CARBON	10K 5% 1/4W
R765	1-247-871-11	CARBON	47K 5% 1/4W
R766	1-249-417-11	CARBON	1K 5% 1/4W
R767	1-249-417-11	CARBON	1K 5% 1/4W
R771	1-249-417-11	CARBON	1K 5% 1/4W
R773	1-249-442-11	CARBON	510 5% 1/4W
R774	1-247-903-00	CARBON	1M 5% 1/4W
R775	1-247-864-11	CARBON	24K 5% 1/4W
R781	1-249-430-11	CARBON	12K 5% 1/4W
R782	1-249-430-11	CARBON	12K 5% 1/4W
R783	1-249-430-11	CARBON	12K 5% 1/4W
R784	1-249-430-11	CARBON	12K 5% 1/4W
R785	1-249-430-11	CARBON	12K 5% 1/4W
R786	1-249-430-11	CARBON	12K 5% 1/4W
R787	1-247-717-11	CARBON	2.2K 5% 1/4W
R788	1-247-717-11	CARBON	2.2K 5% 1/4W
R789	1-247-847-11	CARBON	4.7K 5% 1/4W
R790	1-247-847-11	CARBON	4.7K 5% 1/4W
R795	1-247-713-11	CARBON	1K 5% 1/4W
R796	1-247-713-11	CARBON	1K 5% 1/4W
R797	1-247-713-11	CARBON	1K 5% 1/4W

Ref. No.	Part No.	Description	Remark
R799	1-249-411-11	CARBON	330 5% 1/4W
R726A	1-247-871-11	CARBON	47K 5% 1/4W
R729A	1-249-434-11	CARBON	27K 5% 1/4W
R748A	1-247-847-11	CARBON	4.7K 5% 1/4W
R766A	1-249-417-11	CARBON	1K 5% 1/4W
R767A	1-249-417-11	CARBON	1K 5% 1/4W
R768A	1-249-417-11	CARBON	1K 5% 1/4W
R780A	1-249-417-11	CARBON	1K 5% 1/4W
R795A	1-247-855-11	CARBON	10K 5% 1/4W
R796A	1-247-855-11	CARBON	10K 5% 1/4W
< VIBRATOR >			
XTL01	1-567-908-11	VIBRATOR, CRYSTAL (16.9344MHz)	

A-4475-113-A	FRONT BOARD, COMPLETE		

4-230-508-01	SCREW (3X30)		
7-685-645-79	SCREW +BVTP 3X6 TYPE2 SLIT		
7-685-646-79	SCREW +BVTP 3X8 TYPE2 SLIT		
7-685-649-79	SCREW +BVTP 3X14 TYPE2 SLIT		
< CAPACITOR >			
C539	1-162-302-11	CERAMIC	0.0022uF 20% 16V
C540	1-162-302-11	CERAMIC	0.0022uF 20% 16V
C541	1-109-953-11	ELECT	2.2uF 20% 50V
C542	1-109-953-11	ELECT	2.2uF 20% 50V
C543	1-162-193-31	CERAMIC	3.3PF 10% 50V
C544	1-162-193-31	CERAMIC	3.3PF 10% 50V
C545	1-126-966-11	ELECT	33uF 20% 16V
C546	1-126-966-11	ELECT	33uF 20% 16V
C547	1-137-399-11	MYLAR	0.1uF 5% 100V
C548	1-137-399-11	MYLAR	0.1uF 5% 100V
C551	1-104-664-11	ELECT	47uF 20% 16V
C552	1-126-767-11	ELECT	1000uF 20% 16V
C556	1-126-961-11	ELECT	2.2uF 20% 50V
C557	1-107-714-11	ELECT	10uF 20% 50V
C558	1-126-933-11	ELECT	100uF 20% 16V
C559	1-126-964-11	ELECT	10uF 20% 50V
C560	1-126-964-11	ELECT	10uF 20% 50V
C561	1-107-714-11	ELECT	10uF 20% 50V
C562	1-107-714-11	ELECT	10uF 20% 50V
C591	1-162-286-31	CERAMIC	220PF 10% 50V
C592	1-162-286-31	CERAMIC	220PF 10% 50V
C596	1-126-933-11	ELECT	100uF 20% 16V
< CONNECTOR >			
* CN505	1-564-704-11	PIN, CONNECTOR (SMALL TYPE) 2P	
< DIODE >			
D512	8-719-911-19	DIODE	1SS133T-72
D513	8-719-911-19	DIODE	1SS133T-72
D514	8-719-911-19	DIODE	1SS133T-72
D516	8-719-911-19	DIODE	1SS133T-72
D517	8-719-911-19	DIODE	1SS133T-72
D518	8-719-911-19	DIODE	1SS133T-72
D519	8-719-911-19	DIODE	1SS133T-72

Ref. No.	Part No.	Description	Remark	Ref. No.	Part No.	Description	Remark
D520	8-719-110-22	DIODE UZ-11BS		R559	1-247-855-11	CARBON 10K 5%	1/4W
D521	8-719-911-19	DIODE 1SS133T-72		R560	1-247-871-11	CARBON 47K 5%	1/4W
D525	8-719-911-19	DIODE 1SS133T-72					
D526	8-719-911-19	DIODE 1SS133T-72		R561	1-249-417-11	CARBON 1K 5%	1/4W
		< IC >		R562	1-247-867-11	CARBON 33K 5%	1/4W
IC502	8-749-016-94	IC STK402-090S		R563	1-247-863-11	CARBON 22K 5%	1/4W
		< MOTOR >		R566	1-247-863-11	CARBON 22K 5%	1/4W
M505	1-763-410-11	FAN, DC		R567	1-247-847-11	CARBON 4.7K 5%	1/4W
		< TRANSISTOR >					
Q505	8-729-194-57	TRANSISTOR 2SC945TP-P		R568	1-247-847-11	CARBON 4.7K 5%	1/4W
Q507	8-729-993-43	TRANSISTOR 2SA934R		R569	1-247-855-11	CARBON 10K 5%	1/4W
Q508	8-729-142-46	TRANSISTOR 2SC2001-L		R571	1-249-417-11	CARBON 1K 5%	1/4W
Q509	8-729-048-99	TRANSISTOR 2SK2541-T		R573	1-247-855-11	CARBON 10K 5%	1/4W
Q510	8-729-029-86	FET DTC124ES		R574	1-247-855-11	CARBON 10K 5%	1/4W
Q511	8-729-184-53	TRANSISTOR 2SC1841-EA					
Q512	8-729-184-53	TRANSISTOR 2SC1841-EA		R575	1-247-855-11	CARBON 10K 5%	1/4W
Q513	8-729-231-55	TRANSISTOR 2SC2878-A		R576	1-247-854-11	CARBON 9.1K 5%	1/4W
Q514	8-729-231-55	TRANSISTOR 2SC2878-A		△ R577	1-247-758-11	CARBON 3.3K 5%	1/2W F
Q515	8-729-119-76	TRANSISTOR 2SA733-P		R578	1-247-879-11	CARBON 100K 5%	1/4W
Q516	8-729-103-63	TRANSISTOR 2SA953-KA		R580	1-247-847-11	CARBON 4.7K 5%	1/4W
Q517	8-729-194-57	TRANSISTOR 2SC945TP-P					
Q518	8-729-194-57	TRANSISTOR 2SC945TP-P		R591	1-247-879-11	CARBON 100K 5%	1/4W
Q519	8-729-194-57	TRANSISTOR 2SC945TP-P		△ R592	1-247-727-11	CARBON 10 5%	1/2W F
Q520	8-729-194-57	TRANSISTOR 2SC945TP-P		R551A	1-247-879-11	CARBON 100K 5%	1/4W
		< RESISTOR >		R552A	1-247-879-11	CARBON 100K 5%	1/4W
R525	1-249-465-11	CARBON 47K 5%	1/4W	△ R557A	1-220-890-11	METAL 0.22 10%	3W F
R526	1-249-465-11	CARBON 47K 5%	1/4W				
R527	1-247-871-11	CARBON 47K 5%	1/4W	△ R558A	1-220-890-11	METAL 0.22 10%	3W F
R528	1-247-879-11	CARBON 100K 5%	1/4W	R560A	1-247-839-11	CARBON 2.2K 5%	1/4W
R529	1-247-903-00	CARBON 1M 5%	1/4W				
R530	1-249-417-11	CARBON 1K 5%	1/4W				
R537	1-249-417-11	CARBON 1K 5%	1/4W				
R538	1-249-417-11	CARBON 1K 5%	1/4W				
R539	1-247-855-11	CARBON 10K 5%	1/4W				
R540	1-247-855-11	CARBON 10K 5%	1/4W				
R541	1-249-438-11	CARBON 56K 5%	1/4W				
R542	1-249-438-11	CARBON 56K 5%	1/4W				
R543	1-247-716-11	CARBON 1.8K 5%	1/4W				
R544	1-247-716-11	CARBON 1.8K 5%	1/4W				
R545	1-249-438-11	CARBON 56K 5%	1/4W				
R546	1-249-438-11	CARBON 56K 5%	1/4W				
△ R547	1-260-300-11	CARBON 4.7 5%	1/2W F				
△ R548	1-260-300-11	CARBON 4.7 5%	1/2W F				
△ R549	1-247-739-11	CARBON 100 5%	1/2W F				
△ R550	1-247-739-11	CARBON 100 5%	1/2W F				
R551	1-249-438-11	CARBON 56K 5%	1/4W				
R552	1-247-871-11	CARBON 47K 5%	1/4W				
R553	1-247-713-11	CARBON 1K 5%	1/4W				
R554	1-247-713-11	CARBON 1K 5%	1/4W				
R555	1-249-431-11	CARBON 15K 5%	1/4W				
R556	1-249-431-11	CARBON 15K 5%	1/4W				
△ R557	1-220-890-11	METAL 0.22 10%	3W F				
△ R558	1-220-890-11	METAL 0.22 10%	3W F				

The components identified by mark △ or dotted line with mark △ are critical for safety. Replace only with part number specified.

Les composants identifiés par une marque △ sont critiques pour la sécurité. Ne les remplacer que par une pièce portant le numéro spécifié.

A-4475-119-A H/P BOARD, COMPLETE

< JACK >

JK403 1-569-612-11 JACK, MINIATURE (PHONES)

A-4475-116-A MAIN BOARD, COMPLETE (US, CND)

< CAPACITOR >

C101 1-162-282-31 CERAMIC 100PF 10% 50V
 C102 1-161-494-00 CERAMIC 0.022uF 25V
 C103 1-126-959-11 ELECT 0.47uF 20% 50V
 C104 1-161-494-00 CERAMIC 0.022uF 25V
 C105 1-162-286-31 CERAMIC 220PF 10% 50V
 C106 1-161-494-00 CERAMIC 0.022uF 25V
 C107 1-161-494-00 CERAMIC 0.022uF 25V
 C109 1-126-964-11 ELECT 10uF 20% 50V
 C111 1-164-159-11 CERAMIC 0.1uF 50V
 C113 1-162-286-31 CERAMIC 220PF 10% 50V
 C114 1-164-159-11 CERAMIC 0.1uF 50V
 C117 1-162-199-31 CERAMIC 10PF 5% 50V
 C118 1-126-933-11 ELECT 100uF 20% 16V
 C120 1-161-494-00 CERAMIC 0.022uF 25V
 C121 1-162-215-31 CERAMIC 47PF 5% 50V
 C122 1-126-960-11 ELECT 1uF 20% 50V
 C123 1-126-959-11 ELECT 0.47uF 20% 50V
 C124 1-162-206-31 CERAMIC 20PF 5% 50V

MAIN

Ref. No.	Part No.	Description			Remark	Ref. No.	Part No.	Description			Remark
C125	1-126-960-11	ELECT	1uF	20%	50V	C216	1-162-303-11	CERAMIC	0.0033uF	20%	16V
C126	1-161-494-00	CERAMIC	0.022uF		25V	C217	1-104-664-11	ELECT	47uF	20%	16V
C127	1-126-964-11	ELECT	10uF	20%	50V	C218	1-126-940-11	ELECT	330uF	20%	16V
C128	1-161-494-00	CERAMIC	0.022uF		25V	C219	1-126-962-11	ELECT	3.3uF	20%	50V
C129	1-126-964-11	ELECT	10uF	20%	50V	C221	1-126-962-11	ELECT	3.3uF	20%	50V
C130	1-137-352-11	MYLAR	0.033uF	5%	100V	C222	1-126-962-11	ELECT	3.3uF	20%	50V
C131	1-137-352-11	MYLAR	0.033uF	5%	100V	C223	1-162-290-31	CERAMIC	470PF	10%	50V
C132	1-162-600-11	CERAMIC	0.0047uF	20%	16V	C224	1-162-290-31	CERAMIC	470PF	10%	50V
C133	1-162-600-11	CERAMIC	0.0047uF	20%	16V	C225	1-162-301-11	CERAMIC	0.0015uF	30%	16V
C134	1-126-962-11	ELECT	3.3uF	20%	50V	C226	1-162-301-11	CERAMIC	0.0015uF	30%	16V
C135	1-162-290-31	CERAMIC	470PF	10%	50V	C227	1-162-286-31	CERAMIC	220PF	10%	50V
C136	1-128-551-11	ELECT	22uF	20%	25V	C228	1-162-286-31	CERAMIC	220PF	10%	50V
C137	1-126-963-11	ELECT	4.7uF	20%	50V	C229	1-126-933-11	ELECT	100uF	20%	16V
C138	1-164-159-11	CERAMIC	0.1uF		50V	C230	1-126-933-11	ELECT	100uF	20%	16V
C139	1-161-494-00	CERAMIC	0.022uF		25V	C231	1-126-958-11	ELECT	0.33uF	20%	50V
C140	1-126-933-11	ELECT	100uF	20%	16V	C232	1-126-958-11	ELECT	0.33uF	20%	50V
C141	1-161-494-00	CERAMIC	0.022uF		25V	C233	1-137-397-11	MYLAR	0.047uF	5%	100V
C142	1-126-933-11	ELECT	100uF	20%	16V	C234	1-137-397-11	MYLAR	0.047uF	5%	100V
C143	1-137-401-11	MYLAR	0.22uF	5%	100V	C235	1-126-960-11	ELECT	1uF	20%	50V
C144	1-137-150-11	MYLAR	0.01uF	5%	100V	C236	1-126-933-11	ELECT	100uF	20%	16V
C146	1-162-294-31	CERAMIC	0.001uF	10%	50V	C237	1-161-494-00	CERAMIC	0.022uF		25V
C147	1-162-306-11	CERAMIC	0.01uF	30%	16V	C238	1-126-961-11	ELECT	2.2uF	20%	50V
C148	1-161-494-00	CERAMIC	0.022uF		25V	C251	1-130-487-00	MYLAR	0.022uF	5%	50V
C149	1-162-294-31	CERAMIC	0.001uF	10%	50V	C252	1-137-350-11	MYLAR	0.015uF	5%	100V
C150	1-164-159-11	CERAMIC	0.1uF		50V	C253	1-137-150-11	MYLAR	0.01uF	5%	100V
C151	1-126-959-11	ELECT	0.47uF	20%	50V	C254	1-136-356-11	MYLAR	470PF	5%	100V
C152	1-126-959-11	ELECT	0.47uF	20%	50V	C255	1-104-664-11	ELECT	47uF	20%	16V
C153	1-162-600-11	CERAMIC	0.0047uF	20%	16V	C256	1-126-960-11	ELECT	1uF	20%	50V
C154	1-164-159-11	CERAMIC	0.1uF		50V	C257	1-126-956-11	ELECT	0.1uF	20%	50V
C155	1-162-294-31	CERAMIC	0.001uF	10%	50V	C265	1-162-306-11	CERAMIC	0.01uF	30%	16V
C156	1-102-951-00	CERAMIC	15PF	5%	50V	C271	1-126-963-11	ELECT	4.7uF	20%	50V
C157	1-102-951-00	CERAMIC	15PF	5%	50V	C300	1-164-159-11	CERAMIC	0.1uF		50V
C158	1-104-664-11	ELECT	47uF	20%	10V	C301	1-126-959-11	ELECT	0.47uF	20%	50V
C160	1-126-963-11	ELECT	4.7uF	20%	50V	C302	1-126-959-11	ELECT	0.47uF	20%	50V
C161	1-126-963-11	ELECT	4.7uF	20%	50V	C303	1-126-959-11	ELECT	0.47uF	20%	50V
C163	1-161-494-00	CERAMIC	0.022uF		25V	C304	1-126-959-11	ELECT	0.47uF	20%	50V
C165	1-161-494-00	CERAMIC	0.022uF		25V	C305	1-126-949-11	ELECT	220uF	20%	35V
C166	1-164-159-11	CERAMIC	0.1uF		50V	C306	1-126-964-11	ELECT	10uF	20%	50V
C167	1-162-286-31	CERAMIC	220PF	10%	50V	C307	1-162-286-31	CERAMIC	220PF	10%	50V
C197	1-164-206-41	CERAMIC	0.047uF	99%	50V	C308	1-162-286-31	CERAMIC	220PF	10%	50V
C198	1-161-494-00	CERAMIC	0.022uF		25V	C309	1-162-286-31	CERAMIC	220PF	10%	50V
C199	1-161-494-00	CERAMIC	0.022uF		25V	C310	1-126-959-11	ELECT	0.47uF	20%	50V
C201	1-162-292-31	CERAMIC	680PF	10%	50V	C311	1-126-964-11	ELECT	10uF	20%	50V
C202	1-162-292-31	CERAMIC	680PF	10%	50V	C312	1-137-399-11	MYLAR	0.1uF	5%	100V
C203	1-162-292-31	CERAMIC	680PF	10%	50V	C313	1-137-398-11	MYLAR	0.068uF	5%	100V
C204	1-162-292-31	CERAMIC	680PF	10%	50V	C314	1-137-398-11	MYLAR	0.068uF	5%	100V
C205	1-162-286-31	CERAMIC	220PF	10%	50V	C315	1-136-291-11	MYLAR	0.0068uF	5%	100V
C206	1-162-286-31	CERAMIC	220PF	10%	50V	C316	1-136-291-11	MYLAR	0.0068uF	5%	100V
C207	1-162-286-31	CERAMIC	220PF	10%	50V	C317	1-137-459-11	MYLAR	0.0056uF	5%	100V
C208	1-162-286-31	CERAMIC	220PF	10%	50V	C318	1-126-961-11	ELECT	2.2uF	20%	50V
C209	1-104-664-11	ELECT	47uF	20%	16V	C319	1-126-933-11	ELECT	100uF	20%	16V
C210	1-104-664-11	ELECT	47uF	20%	16V	C322	1-126-960-11	ELECT	1uF	20%	50V
C211	1-137-462-11	MYLAR	0.018uF	5%	100V	C323	1-126-960-11	ELECT	1uF	20%	50V
C212	1-137-462-11	MYLAR	0.018uF	5%	100V	C324	1-126-960-11	ELECT	1uF	20%	50V
C213	1-126-960-11	ELECT	1uF	20%	50V	C325	1-162-199-31	CERAMIC	10PF	5%	50V
C214	1-126-960-11	ELECT	1uF	20%	50V	C326	1-162-199-31	CERAMIC	10PF	5%	50V
C215	1-162-303-11	CERAMIC	0.0033uF	20%	16V	C327	1-126-963-11	ELECT	4.7uF	20%	50V
						C328	1-126-963-11	ELECT	4.7uF	20%	50V

Ref. No.	Part No.	Description	Remark			Ref. No.	Part No.	Description	Remark		
C330	1-126-960-11	ELECT	1uF	20%	50V	C391	1-126-963-11	ELECT	4.7uF	20%	50V
C331	1-126-961-11	ELECT	2.2uF	20%	50V	C392	1-137-401-11	MYLAR	0.22uF	5%	100V
C332	1-126-961-11	ELECT	2.2uF	20%	50V	C393	1-137-401-11	MYLAR	0.22uF	5%	100V
C334	1-126-933-11	ELECT	100uF	20%	16V	C394	1-137-399-11	MYLAR	0.1uF	5%	100V
C335	1-126-959-11	ELECT	0.47uF	20%	50V	C395	1-137-397-11	MYLAR	0.047uF	5%	100V
C336	1-126-959-11	ELECT	0.47uF	20%	50V	C396	1-137-397-11	MYLAR	0.047uF	5%	100V
C339	1-126-963-11	ELECT	4.7uF	20%	50V	C397	1-137-399-11	MYLAR	0.1uF	5%	100V
C340	1-126-963-11	ELECT	4.7uF	20%	50V	C398	1-137-399-11	MYLAR	0.1uF	5%	100V
C341	1-137-399-11	MYLAR	0.1uF	5%	100V	C399	1-137-351-11	MYLAR	0.022uF	5%	100V
C342	1-137-399-11	MYLAR	0.1uF	5%	100V	C402	1-126-974-11	ELECT	3300uF	20%	50V
C343	1-137-399-11	MYLAR	0.1uF	5%	100V	C403	1-126-974-11	ELECT	3300uF	20%	50V
C344	1-137-399-11	MYLAR	0.1uF	5%	100V	C404	1-119-940-11	ELECT	4700uF	20%	50V
C345	1-162-294-31	CERAMIC	0.001uF	10%	50V	C405	1-119-940-11	ELECT	4700uF	20%	50V
C346	1-162-294-31	CERAMIC	0.001uF	10%	50V	C406	1-161-494-00	CERAMIC	0.022uF		25V
C347	1-162-286-31	CERAMIC	220PF	10%	50V	C407	1-161-494-00	CERAMIC	0.022uF		25V
C348	1-162-286-31	CERAMIC	220PF	10%	50V	C412	1-126-967-11	ELECT	47uF	20%	50V
C349	1-161-494-00	CERAMIC	0.022uF		25V	C413	1-101-004-00	CERAMIC	0.01uF		50V
C350	1-161-494-00	CERAMIC	0.022uF		25V	C414	1-101-004-00	CERAMIC	0.01uF		50V
C351	1-126-960-11	ELECT	1uF	20%	50V	C415	1-101-004-00	CERAMIC	0.01uF		50V
C352	1-126-960-11	ELECT	1uF	20%	50V	C416	1-101-004-00	CERAMIC	0.01uF		50V
C353	1-126-964-11	ELECT	10uF	20%	50V	C417	1-126-968-11	ELECT	100uF	20%	50V
C354	1-126-964-11	ELECT	10uF	20%	50V	C418	1-161-494-00	CERAMIC	0.022uF		25V
C355	1-126-933-11	ELECT	100uF	20%	16V	C419	1-161-494-00	CERAMIC	0.022uF		25V
C356	1-126-964-11	ELECT	10uF	20%	50V	C420	1-128-553-11	ELECT	220uF	20%	63V
C357	1-126-964-11	ELECT	10uF	20%	50V	C421	1-126-968-11	ELECT	100uF	20%	50V
C358	1-126-960-11	ELECT	1uF	20%	50V	C422	1-126-949-11	ELECT	220uF	20%	35V
C359	1-126-964-11	ELECT	10uF	20%	50V	C423	1-161-494-00	CERAMIC	0.022uF		25V
C360	1-126-964-11	ELECT	10uF	20%	50V	C424	1-104-658-11	ELECT	100uF	20%	10V
C361	1-126-964-11	ELECT	10uF	20%	50V	C425	1-126-933-11	ELECT	100uF	20%	16V
C362	1-126-964-11	ELECT	10uF	20%	50V	C426	1-161-494-00	CERAMIC	0.022uF		25V
C363	1-126-964-11	ELECT	10uF	20%	50V	C431	1-161-494-00	CERAMIC	0.022uF		25V
C364	1-126-960-11	ELECT	1uF	20%	50V	C432	1-126-933-11	ELECT	100uF	20%	16V
C365	1-137-399-11	MYLAR	0.1uF	5%	100V	C433	1-126-933-11	ELECT	100uF	20%	16V
C366	1-137-399-11	MYLAR	0.1uF	5%	100V	C434	1-161-494-00	CERAMIC	0.022uF		25V
C367	1-126-960-11	ELECT	1uF	20%	50V	C440	1-126-933-11	ELECT	100uF	20%	16V
C368	1-126-960-11	ELECT	1uF	20%	50V	C442	1-164-159-11	CERAMIC	0.1uF		50V
C369	1-126-960-11	ELECT	1uF	20%	50V	C453	1-162-302-11	CERAMIC	0.0022uF	30%	16V
C370	1-137-399-11	MYLAR	0.1uF	5%	100V	C453	1-164-159-11	CERAMIC	0.1uF		50V
C371	1-164-159-11	CERAMIC	0.1uF		50V	C454	1-162-302-11	CERAMIC	0.0022uF	30%	16V
C372	1-162-286-31	CERAMIC	220PF	10%	50V	C460	1-126-959-11	ELECT	0.47uF	20%	50V
C373	1-162-286-31	CERAMIC	220PF	10%	50V	C117A	1-162-196-31	CERAMIC	5.6PF	10%	50V
C374	1-162-286-31	CERAMIC	220PF	10%	50V	C120A	1-164-206-41	CERAMIC	0.047uF	99%	50V
C375	1-109-889-11	ELECT	1uF	20%	50V	C121A	1-104-664-11	ELECT	47uF	20%	16V
C377	1-137-381-11	MYLAR	0.0001uF	5%	100V	C235A	1-162-215-31	CERAMIC	47PF	5%	50V
C378	1-137-399-11	MYLAR	0.1uF	5%	100V	C236A	1-162-215-31	CERAMIC	47PF	5%	50V
C379	1-137-401-11	MYLAR	0.22uF	5%	100V	C300A	1-161-494-00	CERAMIC	0.022uF		25V
C380	1-137-401-11	MYLAR	0.22uF	5%	100V	C301A	1-126-964-11	ELECT	10uF	20%	50V
C381	1-137-399-11	MYLAR	0.1uF	5%	100V	C301B	1-126-964-11	ELECT	10uF	20%	50V
C382	1-136-356-11	MYLAR	470PF	5%	100V	C305A	1-164-159-11	CERAMIC	0.1uF		50V
C383	1-137-381-11	MYLAR	0.0001uF	5%	100V	C306A	1-126-964-11	ELECT	10uF	20%	50V
C384	1-126-960-11	ELECT	1uF	20%	50V	C308A	1-162-286-31	CERAMIC	220PF	10%	50V
C385	1-137-459-11	MYLAR	0.0056uF	5%	100V	C309A	1-126-959-11	ELECT	0.47uF	20%	50V
C386	1-137-397-11	MYLAR	0.047uF	5%	100V	C3100	1-137-351-11	MYLAR	0.022uF	5%	100V
C387	1-107-357-11	MYLAR	0.47uF	5%	100V	C3101	1-137-399-11	MYLAR	0.1uF	5%	100V
C388	1-137-401-11	MYLAR	0.22uF	5%	100V	C3102	1-130-469-00	MYLAR	680PF	5%	50V
C389	1-137-401-11	MYLAR	0.22uF	5%	100V	C3103	1-137-150-11	MYLAR	0.01uF	5%	100V
C390	1-126-963-11	ELECT	4.7uF	20%	50V	C3104	1-130-469-00	MYLAR	680PF	5%	50V

MAIN

Ref. No.	Part No.	Description	Remark	Ref. No.	Part No.	Description	Remark
C3105	1-137-150-11	MYLAR	0.01uF 5% 100V	* CN301	1-564-515-11	PLUG, CONNECTOR 12P	
C3106	1-137-150-11	MYLAR	0.01uF 5% 100V	* CN302	1-564-511-11	PLUG, CONNECTOR 8P	
C3107	1-137-150-11	MYLAR	0.01uF 5% 100V	* CN305	1-564-509-11	PLUG, CONNECTOR 6P	
C3108	1-104-664-11	ELECT	47uF 20% 16V	* CN502	1-564-512-11	PLUG, CONNECTOR 9P	
C3109	1-136-291-11	MYLAR	0.0068uF 5% 100V			< DIODE >	
C3110	1-107-713-11	ELECT	4.7uF 20% 50V	D001	8-719-911-19	DIODE 1SS133T-72	
C3111	1-126-933-11	ELECT	100uF 20% 16V	D002	8-719-911-19	DIODE 1SS133T-72	
C3112	1-126-949-11	ELECT	220uF 20% 35V	D101	8-719-911-19	DIODE 1SS133T-72	
C3113	1-126-964-11	ELECT	10uF 20% 50V	D102	8-719-911-19	DIODE 1SS133T-72	
C3114	1-162-286-31	CERAMIC	220PF 10% 50V	D103	8-719-911-19	DIODE 1SS133T-72	
C3115	1-126-964-11	ELECT	10uF 20% 50V	D104	8-719-911-19	DIODE 1SS133T-72	
C3116	1-126-964-11	ELECT	10uF 20% 50V	D106	8-719-911-19	DIODE 1SS133T-72	
C3117	1-162-286-31	CERAMIC	220PF 10% 50V	D107	8-719-010-40	DIODE UZ-5.6BS	
C3118	1-162-286-31	CERAMIC	220PF 10% 50V	D201	8-719-911-19	DIODE 1SS133T-72	
C3119	1-161-494-00	CERAMIC	0.022uF 25V	D202	8-719-911-19	DIODE 1SS133T-72	
C311A	1-126-964-11	ELECT	10uF 20% 50V	D203	8-719-911-19	DIODE 1SS133T-72	
C311B	1-162-286-31	CERAMIC	220PF 10% 50V	D204	8-719-911-19	DIODE 1SS133T-72	
C311C	1-162-286-31	CERAMIC	220PF 10% 50V	D205	8-719-911-19	DIODE 1SS133T-72	
C3120	1-161-494-00	CERAMIC	0.022uF 25V	D303	8-719-010-60	DIODE UZ-9.1BS	
C3121	1-126-960-11	ELECT	1uF 20% 50V	D305	8-719-911-19	DIODE 1SS133T-72	
C3122	1-126-960-11	ELECT	1uF 20% 50V	D306	8-719-911-19	DIODE 1SS133T-72	
C3123	1-126-960-11	ELECT	1uF 20% 50V	D307	8-719-010-44	DIODE UZ-6.2BS	
C3124	1-161-494-00	CERAMIC	0.022uF 25V	D308	8-719-010-44	DIODE UZ-6.2BS	
C3125	1-161-494-00	CERAMIC	0.022uF 25V	D309	8-719-911-19	DIODE 1SS133T-72	
C3126	1-162-286-31	CERAMIC	220PF 10% 50V	D402	8-719-074-96	DIODE GBU4D	
C3127	1-126-961-11	ELECT	2.2uF 20% 50V	D403	8-719-027-23	DIODE GBU6D	
C3129	1-164-159-11	CERAMIC	0.1uF 50V	D405	8-719-010-44	DIODE UZ-6.2BS	
C312A	1-137-399-11	MYLAR	0.1uF 5% 100V	D407	8-719-921-82	DIODE UZ-12BS	
C313A	1-137-398-11	MYLAR	0.068uF 5% 100V	D409	8-719-012-32	DIODE UZ-27BS	
C314A	1-137-398-11	MYLAR	0.068uF 5% 100V	D410	8-719-010-31	DIODE UZ-4.7BS	
C315A	1-136-291-11	MYLAR	0.0068uF 5% 100V	D411	8-719-031-85	DIODE 1N4002L	
C316A	1-136-291-11	MYLAR	0.0068uF 5% 100V	D412	8-719-031-85	DIODE 1N4002L	
C317A	1-137-459-11	MYLAR	0.0056uF 5% 100V	D417	8-719-911-19	DIODE 1SS133T-72	
C318A	1-126-961-11	ELECT	2.2uF 20% 50V	D418	8-719-911-19	DIODE 1SS133T-72	
C319A	1-164-159-11	CERAMIC	0.1uF 50V	D419	8-719-911-19	DIODE 1SS133T-72	
C322A	1-126-960-11	ELECT	1uF 20% 50V	D420	8-719-911-19	DIODE 1SS133T-72	
C330A	1-126-960-11	ELECT	1uF 20% 50V	D421	8-719-911-19	DIODE 1SS133T-72	
C334A	1-126-964-11	ELECT	10uF 20% 50V	D422	8-719-911-19	DIODE 1SS133T-72	
C347A	1-162-286-31	CERAMIC	220PF 10% 50V	D423	8-719-911-19	DIODE 1SS133T-72	
C348A	1-162-286-31	CERAMIC	220PF 10% 50V			< FRONT END >	
C355A	1-162-290-31	CERAMIC	470PF 10% 50V	FE101	1-693-469-11	FRONT END	
C356A	1-162-290-31	CERAMIC	470PF 10% 50V			< IC >	
C367A	1-126-964-11	ELECT	10uF 20% 50V	IC102	8-759-663-31	IC LA1833N	
C381A	1-162-286-31	CERAMIC	220PF 10% 50V	IC103	8-759-590-13	IC LC72131D	
C382A	1-162-286-31	CERAMIC	220PF 10% 50V	IC201	8-759-242-58	IC TA8189N	
C383A	1-126-960-11	ELECT	1uF 20% 50V	IC301	8-759-686-85	IC M62498AFP	
C422A	1-126-767-11	ELECT	1000uF 20% 16V	IC302	8-759-571-51	IC M62464FP	
C442A	1-109-953-11	ELECT	2.2uF 20% 50V	IC303	8-759-505-55	IC NJM4558L	
C453A	1-164-159-11	CERAMIC	0.1uF 50V	IC304	8-759-505-55	IC NJM4558L	
		< FILTER >		IC305	8-759-505-55	IC NJM4558L	
CF101	1-567-390-11	FILTER, CERAMIC (10.7MHz)		IC306	8-759-505-55	IC NJM4558L	
CF102	1-579-568-11	FILTER, CERAMIC (10.7MHz)		IC307	8-759-505-55	IC NJM4558L	
CF103	1-527-996-11	FILTER, CERAMIC (450kHz)				< TERMINAL/JACK >	
CF104	1-579-856-11	DISCRIMINATOR, CERAMIC (10.7MHz)					
		< CONNECTOR >					
CN101	1-793-766-11	CONNECTOR, BOARD TO BOARD 30P		JK101	1-694-092-21	TERMINAL BOARD (ANTENNA)	

Ref. No.	Part No.	Description	Remark	Ref. No.	Part No.	Description	Remark
JK301	1-793-612-11	JACK, PIN 8P (MD/VIDEO IN, DVD INPUT: FRONT, REAR, CENTER, WOOFER)		Q416	8-729-029-72	FET DTC114YS	
JK303	1-793-582-11	JACK, PIN 1P (WOOFER OUT)		Q419	8-729-231-55	TRANSISTOR 2SC2878-A	
JK401	1-694-604-11	TERMINAL, SPEAKER (4P) (FRONT SPEAKER)		Q420	8-729-231-55	TRANSISTOR 2SC2878-A	
JK402	1-694-605-11	TERMINAL, SPEAKER (6P) (REAR/CENTER SPEAKER)				< RESISTOR >	
		< COIL >		R101	1-247-855-11	CARBON 10K	5% 1/4W
L102	1-410-330-11	INDUCTOR 22uH		R103	1-247-835-11	CARBON 1.5K	5% 1/4W
L103	1-410-330-11	INDUCTOR 22uH		R105	1-249-417-11	CARBON 1K	5% 1/4W
L106	1-410-517-11	INDUCTOR 47uH		R106	1-247-839-11	CARBON 2.2K	5% 1/4W
L113	1-410-330-11	INDUCTOR 22uH		R107	1-249-427-11	CARBON 6.8K	5% 1/4W
L201	1-419-645-11	COIL, BIAS OSCILLATION		R108	1-247-863-11	CARBON 22K	5% 1/4W
L406	1-408-096-00	INDUCTOR 470uH		R109	1-247-871-11	CARBON 47K	5% 1/4W
		< TRANSISTOR >		R112	1-247-807-11	CARBON 100	5% 1/4W
Q101	8-729-672-42	TRANSISTOR 2SC1675-L		R113	1-247-843-11	CARBON 3.3K	5% 1/4W
Q103	8-729-207-35	FET 2SJ105-Y		R114	1-249-417-11	CARBON 1K	5% 1/4W
Q104	8-729-041-83	FET 2SK544E		R115	1-249-417-11	CARBON 1K	5% 1/4W
Q109	8-729-194-57	TRANSISTOR 2SC945TP-P		R116	1-247-692-11	CARBON 22	5% 1/4W
Q110	8-729-194-57	TRANSISTOR 2SC945TP-P		R117	1-247-847-11	CARBON 4.7K	5% 1/4W
Q201	8-729-194-57	TRANSISTOR 2SC945TP-P		R118	1-249-405-11	CARBON 100	5% 1/4W
Q202	8-729-194-57	TRANSISTOR 2SC945TP-P		R119	1-247-807-11	CARBON 100	5% 1/4W
Q203	8-729-194-57	TRANSISTOR 2SC945TP-P		R120	1-247-843-11	CARBON 3.3K	5% 1/4W
Q204	8-729-194-57	TRANSISTOR 2SC945TP-P		R121	1-247-855-11	CARBON 10K	5% 1/4W
Q205	8-729-194-57	TRANSISTOR 2SC945TP-P		R122	1-249-432-11	CARBON 18K	5% 1/4W
Q206	8-729-194-57	TRANSISTOR 2SC945TP-P		R123	1-247-724-11	CARBON 8.2K	5% 1/4W
Q207	8-729-119-76	TRANSISTOR 2SA733-P		R124	1-247-843-11	CARBON 3.3K	5% 1/4W
Q208	8-729-119-76	TRANSISTOR 2SA733-P		R125	1-249-409-11	CARBON 220	5% 1/4W
Q209	8-729-194-57	TRANSISTOR 2SC945TP-P		R126	1-247-843-11	CARBON 3.3K	5% 1/4W
Q210	8-729-194-57	TRANSISTOR 2SC945TP-P		R127	1-247-843-11	CARBON 3.3K	5% 1/4W
Q211	8-729-194-57	TRANSISTOR 2SC945TP-P		R128	1-247-847-11	CARBON 4.7K	5% 1/4W
Q213	8-729-194-57	TRANSISTOR 2SC945TP-P		R129	1-247-847-11	CARBON 4.7K	5% 1/4W
Q214	8-729-194-57	TRANSISTOR 2SC945TP-P		R130	1-249-459-11	CARBON 12K	5% 1/4W
Q251	8-729-142-46	TRANSISTOR 2SC2001-L		R131	1-247-713-11	CARBON 1K	5% 1/4W
Q252	8-729-119-76	TRANSISTOR 2SA733-P		R132	1-247-855-11	CARBON 10K	5% 1/4W
Q253	8-729-194-57	TRANSISTOR 2SC945TP-P		R133	1-247-849-11	CARBON 5.6K	5% 1/4W
Q303	8-729-194-57	TRANSISTOR 2SC945TP-P		R134	1-247-855-11	CARBON 10K	5% 1/4W
Q304	8-729-194-57	TRANSISTOR 2SC945TP-P		R135	1-249-417-11	CARBON 1K	5% 1/4W
Q305	8-729-194-57	TRANSISTOR 2SC945TP-P		R136	1-247-879-11	CARBON 100K	5% 1/4W
Q308	8-729-194-57	TRANSISTOR 2SC945TP-P		R137	1-247-855-11	CARBON 10K	5% 1/4W
Q309	8-729-194-57	TRANSISTOR 2SC945TP-P		R138	1-247-807-11	CARBON 100	5% 1/4W
Q312	8-729-207-35	FET 2SJ105-Y		R139	1-247-725-11	CARBON 10K	5% 1/4W
Q313	8-729-207-35	FET 2SJ105-Y		R140	1-247-855-11	CARBON 10K	5% 1/4W
Q316	8-729-194-57	TRANSISTOR 2SC945TP-P		R141	1-247-839-11	CARBON 2.2K	5% 1/4W
Q317	8-729-194-57	TRANSISTOR 2SC945TP-P		R142	1-247-839-11	CARBON 2.2K	5% 1/4W
Q319	8-729-231-55	TRANSISTOR 2SC2878-A		R143	1-247-839-11	CARBON 2.2K	5% 1/4W
Q320	8-729-194-57	TRANSISTOR 2SC945TP-P		R146	1-249-417-11	CARBON 1K	5% 1/4W
Q321	8-729-231-55	TRANSISTOR 2SC2878-A		R148	1-247-855-11	CARBON 10K	5% 1/4W
Q401	8-729-188-23	TRANSISTOR 2SD882-P		R149	1-247-855-11	CARBON 10K	5% 1/4W
Q403	8-729-232-32	TRANSISTOR 2SA965-O/Y (TPE6)		R150	1-247-843-11	CARBON 3.3K	5% 1/4W
Q405	8-729-140-96	TRANSISTOR 2SC2060-R		R199	1-249-411-11	CARBON 330	5% 1/4W
Q406	8-729-232-32	TRANSISTOR 2SA965-O/Y TPE6)		R201	1-249-393-11	CARBON 10	5% 1/4W
Q411	8-729-207-35	FET 2SJ105-Y		R202	1-249-393-11	CARBON 10	5% 1/4W
Q412	8-729-119-76	TRANSISTOR 2SA733-P		R203	1-249-393-11	CARBON 10	5% 1/4W
Q413	8-729-194-57	TRANSISTOR 2SC945TP-P		R204	1-249-393-11	CARBON 10	5% 1/4W
Q414	8-729-029-72	FET DTC114YS		R205	1-249-400-11	CARBON 39	5% 1/4W
Q415	8-729-029-72	FET DTC114YS		R206	1-249-400-11	CARBON 39	5% 1/4W
				R207	1-249-428-11	CARBON 8.2K	5% 1/4W
				R208	1-249-428-11	CARBON 8.2K	5% 1/4W
				R209	1-247-889-00	CARBON 270K	5% 1/4W

MAIN

<u>Ref. No.</u>	<u>Part No.</u>	<u>Description</u>			<u>Remark</u>	<u>Ref. No.</u>	<u>Part No.</u>	<u>Description</u>			<u>Remark</u>
R210	1-247-889-00	CARBON	270K	5%	1/4W	R305	1-247-839-11	CARBON	2.2K	5%	1/4W
R211	1-247-891-00	CARBON	330K	5%	1/4W	R306	1-247-839-11	CARBON	2.2K	5%	1/4W
R212	1-247-891-00	CARBON	330K	5%	1/4W	R307	1-249-417-11	CARBON	1K	5%	1/4W
R213	1-247-847-11	CARBON	4.7K	5%	1/4W	R308	1-249-417-11	CARBON	1K	5%	1/4W
R214	1-247-847-11	CARBON	4.7K	5%	1/4W	R315	1-247-839-11	CARBON	2.2K	5%	1/4W
R215	1-247-891-00	CARBON	330K	5%	1/4W	R316	1-249-417-11	CARBON	1K	5%	1/4W
R216	1-247-891-00	CARBON	330K	5%	1/4W	R317	1-247-839-11	CARBON	2.2K	5%	1/4W
R217	1-247-855-11	CARBON	10K	5%	1/4W	R318	1-249-417-11	CARBON	1K	5%	1/4W
R218	1-247-885-00	CARBON	180K	5%	1/4W	R319	1-247-839-11	CARBON	2.2K	5%	1/4W
R219	1-247-871-11	CARBON	47K	5%	1/4W	R320	1-249-417-11	CARBON	1K	5%	1/4W
R220	1-247-863-11	CARBON	22K	5%	1/4W	R321	1-247-863-11	CARBON	22K	5%	1/4W
R221	1-247-855-11	CARBON	10K	5%	1/4W	R322	1-247-843-11	CARBON	3.3K	5%	1/4W
R222	1-247-704-11	CARBON	220	5%	1/4W	R324	1-247-717-11	CARBON	2.2K	5%	1/4W
R223	1-247-885-00	CARBON	180K	5%	1/4W	R325	1-247-717-11	CARBON	2.2K	5%	1/4W
R224	1-247-885-00	CARBON	180K	5%	1/4W	R329	1-247-855-11	CARBON	10K	5%	1/4W
R225	1-247-863-11	CARBON	22K	5%	1/4W	R330	1-247-855-11	CARBON	10K	5%	1/4W
R226	1-247-863-11	CARBON	22K	5%	1/4W	R331	1-247-903-00	CARBON	1M	5%	1/4W
R227	1-247-881-00	CARBON	120K	5%	1/4W	R332	1-247-903-00	CARBON	1M	5%	1/4W
R228	1-247-881-00	CARBON	120K	5%	1/4W	R334	1-247-855-11	CARBON	10K	5%	1/4W
R229	1-249-420-11	CARBON	1.8K	5%	1/4W	R335	1-249-413-11	CARBON	470	5%	1/4W
R230	1-249-420-11	CARBON	1.8K	5%	1/4W	R336	1-247-883-00	CARBON	150K	5%	1/4W
R231	1-249-422-11	CARBON	2.7K	5%	1/4W	R337	1-247-883-00	CARBON	150K	5%	1/4W
R232	1-249-422-11	CARBON	2.7K	5%	1/4W	R338	1-247-876-11	CARBON	75K	5%	1/4W
R233	1-247-863-11	CARBON	22K	5%	1/4W	R339	1-247-871-11	CARBON	47K	5%	1/4W
R234	1-247-863-11	CARBON	22K	5%	1/4W	R340	1-247-876-11	CARBON	75K	5%	1/4W
R235	1-247-847-11	CARBON	4.7K	5%	1/4W	R341	1-247-871-11	CARBON	47K	5%	1/4W
R236	1-247-847-11	CARBON	4.7K	5%	1/4W	R342	1-247-879-11	CARBON	100K	5%	1/4W
R237	1-247-855-11	CARBON	10K	5%	1/4W	R343	1-247-879-11	CARBON	100K	5%	1/4W
R238	1-247-899-11	CARBON	680K	5%	1/4W	R344	1-249-403-11	CARBON	68	5%	1/4W
R239	1-249-381-11	CARBON	1	5%	1/4W	R345	1-247-903-00	CARBON	1M	5%	1/4W
R240	1-247-855-11	CARBON	10K	5%	1/4W	R346	1-247-903-00	CARBON	1M	5%	1/4W
R241	1-247-847-11	CARBON	4.7K	5%	1/4W	R347	1-247-847-11	CARBON	4.7K	5%	1/4W
R242	1-247-847-11	CARBON	4.7K	5%	1/4W	R348	1-247-847-11	CARBON	4.7K	5%	1/4W
R243	1-249-430-11	CARBON	12K	5%	1/4W	R349	1-247-839-11	CARBON	2.2K	5%	1/4W
R244	1-247-839-11	CARBON	2.2K	5%	1/4W	R350	1-247-839-11	CARBON	2.2K	5%	1/4W
R245	1-247-839-11	CARBON	2.2K	5%	1/4W	R355	1-247-867-11	CARBON	33K	5%	1/4W
R246	1-249-434-11	CARBON	27K	5%	1/4W	R356	1-247-867-11	CARBON	33K	5%	1/4W
R247	1-247-855-11	CARBON	10K	5%	1/4W	R357	1-247-901-11	CARBON	820K	5%	1/4W
R248	1-247-847-11	CARBON	4.7K	5%	1/4W	R358	1-247-879-11	CARBON	100K	5%	1/4W
R249	1-247-899-11	CARBON	680K	5%	1/4W	R362	1-247-704-11	CARBON	220	5%	1/4W
R250	1-247-885-00	CARBON	180K	5%	1/4W	R363	1-247-879-11	CARBON	100K	5%	1/4W
R251	1-249-434-11	CARBON	27K	5%	1/4W	R365	1-249-417-11	CARBON	1K	5%	1/4W
R253	1-247-710-11	CARBON	560	5%	1/4W	R367	1-247-847-11	CARBON	4.7K	5%	1/4W
R254	1-247-855-11	CARBON	10K	5%	1/4W	R369	1-249-434-11	CARBON	27K	5%	1/4W
R255	1-247-847-11	CARBON	4.7K	5%	1/4W	R370	1-249-434-11	CARBON	27K	5%	1/4W
R256	1-247-855-11	CARBON	10K	5%	1/4W	R373	1-247-847-11	CARBON	4.7K	5%	1/4W
R257	1-249-412-11	CARBON	390	5%	1/4W	R375	1-247-891-00	CARBON	330K	5%	1/4W
R258	1-247-704-11	CARBON	220	5%	1/4W	R376	1-247-891-00	CARBON	330K	5%	1/4W
R261	1-249-412-11	CARBON	390	5%	1/4W	R379	1-247-839-11	CARBON	2.2K	5%	1/4W
R262	1-247-879-11	CARBON	100K	5%	1/4W	R380	1-247-839-11	CARBON	2.2K	5%	1/4W
R263	1-247-855-11	CARBON	10K	5%	1/4W	R381	1-249-417-11	CARBON	1K	5%	1/4W
R264	1-247-855-11	CARBON	10K	5%	1/4W	R382	1-249-417-11	CARBON	1K	5%	1/4W
R271	1-247-807-11	CARBON	100	5%	1/4W	R387	1-247-879-11	CARBON	100K	5%	1/4W
R301	1-249-417-11	CARBON	1K	5%	1/4W	R388	1-247-879-11	CARBON	100K	5%	1/4W
R302	1-249-417-11	CARBON	1K	5%	1/4W	R389	1-249-427-11	CARBON	6.8K	5%	1/4W
R303	1-249-418-11	CARBON	1.2K	5%	1/4W	R390	1-249-427-11	CARBON	6.8K	5%	1/4W
R304	1-249-418-11	CARBON	1.2K	5%	1/4W	R391	1-247-855-11	CARBON	10K	5%	1/4W
						R392	1-247-855-11	CARBON	10K	5%	1/4W

Ref. No.	Part No.	Description	Remark	Ref. No.	Part No.	Description	Remark
R395	1-249-417-11	CARBON	1K 5% 1/4W	R3113	1-249-427-11	CARBON	6.8K 5% 1/4W
R396	1-249-417-11	CARBON	1K 5% 1/4W	R3114	1-247-855-11	CARBON	10K 5% 1/4W
R397	1-249-417-11	CARBON	1K 5% 1/4W	R3115	1-247-855-11	CARBON	10K 5% 1/4W
R398	1-247-713-11	CARBON	1K 5% 1/4W	R3118	1-249-417-11	CARBON	1K 5% 1/4W
R399	1-247-717-11	CARBON	2.2K 5% 1/4W	R3119	1-249-417-11	CARBON	1K 5% 1/4W
R401	1-249-405-11	CARBON	100 5% 1/4W	R3120	1-249-417-11	CARBON	1K 5% 1/4W
R402	1-249-405-11	CARBON	100 5% 1/4W	R3121	1-247-871-11	CARBON	47K 5% 1/4W
R403	1-247-827-11	CARBON	680 5% 1/4W	R3122	1-247-839-11	CARBON	2.2K 5% 1/4W
△ R405	1-215-863-11	METAL OXIDE	100 5% 1W F	R3123	1-247-855-11	CARBON	10K 5% 1/4W
R406	1-247-717-11	CARBON	2.2K 5% 1/4W	R3124	1-249-417-11	CARBON	1K 5% 1/4W
R408	1-249-417-11	CARBON	1K 5% 1/4W	R3125	1-247-879-11	CARBON	100K 5% 1/4W
△ R409	1-215-865-11	METAL OXIDE	220 5% 1W F	R3128	1-247-855-11	CARBON	10K 5% 1/4W
R410	1-247-717-11	CARBON	2.2K 5% 1/4W	R3129	1-247-855-11	CARBON	10K 5% 1/4W
△ R412	1-215-886-11	METAL OXIDE	100 5% 2W F	R3136	1-247-879-11	CARBON	100K 5% 1/4W
R416	1-247-895-00	CARBON	470K 5% 1/4W	R3137	1-247-855-11	CARBON	10K 5% 1/4W
R424	1-249-417-11	CARBON	1K 5% 1/4W	R3138	1-247-839-11	CARBON	2.2K 5% 1/4W
R425	1-249-417-11	CARBON	1K 5% 1/4W	R3139	1-247-871-11	CARBON	47K 5% 1/4W
R426	1-247-721-11	CARBON	4.7K 5% 1/4W	R3140	1-247-863-11	CARBON	22K 5% 1/4W
R427	1-247-855-11	CARBON	10K 5% 1/4W	R3141	1-247-855-11	CARBON	10K 5% 1/4W
R440	1-247-708-11	CARBON	470 5% 1/4W	R329A	1-247-855-11	CARBON	10K 5% 1/4W
R441	1-247-708-11	CARBON	470 5% 1/4W	R330A	1-247-855-11	CARBON	10K 5% 1/4W
R442	1-249-422-11	CARBON	2.7K 5% 1/4W	R331A	1-247-847-11	CARBON	4.7K 5% 1/4W
R443	1-249-422-11	CARBON	2.7K 5% 1/4W	R334A	1-247-855-11	CARBON	10K 5% 1/4W
R444	1-247-688-11	CARBON	10 5% 1/4W	R357A	1-247-883-00	CARBON	150K 5% 1/4W
R470	1-247-879-11	CARBON	100K 5% 1/4W	R358A	1-247-835-11	CARBON	1.5K 5% 1/4W
R471	1-247-903-00	CARBON	1M 5% 1/4W	R363A	1-247-835-11	CARBON	1.5K 5% 1/4W
R472	1-249-417-11	CARBON	1K 5% 1/4W	R376A	1-247-883-00	CARBON	150K 5% 1/4W
R473	1-247-863-11	CARBON	22K 5% 1/4W	R381A	1-247-839-11	CARBON	2.2K 5% 1/4W
R474	1-247-863-11	CARBON	22K 5% 1/4W	R382A	1-247-855-11	CARBON	10K 5% 1/4W
R476	1-247-889-00	CARBON	270K 5% 1/4W	R399A	1-247-717-11	CARBON	2.2K 5% 1/4W
R122A	1-249-427-11	CARBON	6.8K 5% 1/4W	△ R403A	1-215-857-11	METAL OXIDE	10 5% 1W F
R205A	1-249-409-11	CARBON	220 5% 1/4W	△ R412A	1-215-892-11	METAL OXIDE	1K 5% 2W F
R206A	1-249-409-11	CARBON	220 5% 1/4W	△ R412B	1-216-458-11	METAL OXIDE	1.8K 5% 2W F
R231A	1-247-843-11	CARBON	3.3K 5% 1/4W	R427A	1-247-855-11	CARBON	10K 5% 1/4W
R232A	1-247-843-11	CARBON	3.3K 5% 1/4W	R476A	1-247-835-11	CARBON	1.5K 5% 1/4W
R240A	1-247-855-11	CARBON	10K 5% 1/4W	R3121A	1-247-871-11	CARBON	47K 5% 1/4W
R300A	1-247-903-00	CARBON	1M 5% 1/4W	< RF BLOCK >			
R300B	1-247-903-00	CARBON	1M 5% 1/4W	RF101	1-476-103-11	RF BLOCK, AM	
R301A	1-247-847-11	CARBON	4.7K 5% 1/4W	< RELAY >			
R301B	1-247-847-11	CARBON	4.7K 5% 1/4W	RL401	1-755-170-11	RELAY (12V)	
R302A	1-249-417-11	CARBON	1K 5% 1/4W	RL402	1-755-170-11	RELAY (12V)	
R302B	1-249-417-11	CARBON	1K 5% 1/4W	RL403	1-755-170-11	RELAY (12V)	
R304A	1-249-430-11	CARBON	12K 5% 1/4W	< VARIABLE RESISTOR >			
R309A	1-249-430-11	CARBON	12K 5% 1/4W	SFR101	1-241-765-11	RES, ADJ, CARBON 22K	
R3100	1-247-717-11	CARBON	2.2K 5% 1/4W	< TRANSFORMER >			
R3101	1-247-717-11	CARBON	2.2K 5% 1/4W	T102	1-429-554-11	TRANSFORMER, AM IFT	
R3102	1-247-891-00	CARBON	330K 5% 1/4W	< VIBRATOR >			
R3103	1-249-417-11	CARBON	1K 5% 1/4W	X101	1-579-585-11	VIBRATOR, CRYSTAL (7.2MHz)	
R3104	1-247-879-11	CARBON	100K 5% 1/4W	*****			
R3105	1-249-427-11	CARBON	6.8K 5% 1/4W				
R3106	1-247-855-11	CARBON	10K 5% 1/4W				
R3108	1-249-417-11	CARBON	1K 5% 1/4W				
R3109	1-249-417-11	CARBON	1K 5% 1/4W				
R310A	1-247-839-11	CARBON	2.2K 5% 1/4W				
R3110	1-247-879-11	CARBON	100K 5% 1/4W				
R3111	1-247-879-11	CARBON	100K 5% 1/4W				
R3112	1-249-427-11	CARBON	6.8K 5% 1/4W				

<p>The components identified by mark △ or dotted line with mark △ are critical for safety. Replace only with part number specified.</p>	<p>Les composants identifiés par une marque △ sont critiques pour la sécurité. Ne les remplacer que par une pièce portant le numéro spécifié.</p>
---	---

MOTOR	PANEL
--------------	--------------

Ref. No.	Part No.	Description	Remark
	1-674-792-11	MOTOR BOARD *****	
		< CAPACITOR >	
C01	1-124-259-11	ELECT 4.7uF 20%	50V
		< CONNECTOR >	
* CN06	1-568-824-11	SOCKET, CONNECTOR 5P *****	
	A-4424-891-A	PANEL BOARD, COMPLETE ***** (including SENSOR BOARD)	
		< CAPACITOR >	
C601	1-126-916-11	ELECT 1000uF 20%	6.3V
C602	1-161-494-00	CERAMIC 0.022uF	25V
C603	1-164-159-11	CERAMIC 0.1uF	50V
C604	1-119-774-11	ELECT 100uF 20%	16V
C605	1-124-589-11	ELECT 47uF 20%	16V
C606	1-164-159-11	CERAMIC 0.1uF	50V
C608	1-124-254-00	ELECT 0.68uF 20%	50V
C609	1-164-159-11	CERAMIC 0.1uF	50V
C610	1-126-964-11	ELECT 10uF 20%	50V
C611	1-161-494-00	CERAMIC 0.022uF	25V
C612	1-126-160-11	ELECT 1uF 20%	50V
C613	1-102-960-00	CERAMIC 24PF 5%	50V
C614	1-102-960-00	CERAMIC 24PF 5%	50V
C615	1-126-964-11	ELECT 10uF 20%	50V
C616	1-164-206-41	CERAMIC 0.047uF 99%	50V
C617	1-162-286-31	CERAMIC 220PF 10%	50V
C618	1-162-286-31	CERAMIC 220PF 10%	50V
C621	1-126-934-11	ELECT 220uF 20%	16V
C622	1-162-286-31	CERAMIC 220PF 10%	50V
C623	1-162-286-31	CERAMIC 220PF 10%	50V
C624	1-162-286-31	CERAMIC 220PF 10%	50V
C625	1-162-286-31	CERAMIC 220PF 10%	50V
C626	1-162-286-31	CERAMIC 220PF 10%	50V
C629	1-126-934-11	ELECT 220uF 20%	16V
C630	1-162-286-31	CERAMIC 220PF 10%	50V
C632	1-124-464-11	ELECT 0.22uF 20%	50V
C633	1-130-489-11	MYLAR 0.033uF 5%	50V
C634	1-126-957-11	ELECT 0.22uF 20%	50V
C635	1-130-475-00	MYLAR 0.0022uF 5%	50V
C636	1-126-957-11	ELECT 0.22uF 20%	50V
C637	1-126-957-11	ELECT 0.22uF 20%	50V
C638	1-130-483-00	MYLAR 0.01uF 5%	50V
C639	1-126-959-11	ELECT 0.47uF 20%	50V
C640	1-126-957-11	ELECT 0.22uF 20%	50V
C641	1-136-161-00	MYLAR 0.047uF 10%	50V
C642	1-126-957-11	ELECT 0.22uF 20%	50V
C643	1-162-293-31	CERAMIC 820PF 10%	50V
C644	1-126-964-11	ELECT 10uF 20%	50V
C646	1-124-259-11	ELECT 4.7uF 20%	50V
C901	1-126-964-11	ELECT 10uF 20%	50V
C902	1-161-494-00	CERAMIC 0.022uF	25V
C903	1-162-294-31	CERAMIC 0.001uF 10%	50V
C904	1-162-294-31	CERAMIC 0.001uF 10%	50V

Ref. No.	Part No.	Description	Remark
C905	1-162-286-31	CERAMIC 220PF 10%	50V
C906	1-162-286-31	CERAMIC 220PF 10%	50V
C629A	1-104-664-11	ELECT 47uF 20%	16V
C630A	1-164-159-11	CERAMIC 0.1uF	50V
C699A	1-162-286-31	CERAMIC 220PF 10%	50V
		< CONNECTOR >	
CN101	1-793-767-11	CONNECTOR, BOARD TO BOARD 30P	
CN603	1-784-738-21	CONNECTOR, FFC 16P	
CN605	1-784-744-21	CONNECTOR, FFC 22P	
		< DIODE >	
D601	8-719-200-02	DIODE 1N4002	
D602	8-719-200-02	DIODE 1N4002	
D603	8-719-911-19	DIODE 1SS133T-72	
D604	8-719-911-19	DIODE 1SS133T-72	
D612	8-719-911-19	DIODE 1SS133T-72	
D613	8-719-911-19	DIODE 1SS133T-72	
D615	8-719-911-19	DIODE 1SS133T-72	
D616	8-719-911-19	DIODE 1SS133T-72	
D618	8-719-911-19	DIODE 1SS133T-72	
D619	8-719-911-19	DIODE 1SS133T-72	
D620	8-719-911-19	DIODE 1SS133T-72	
D621	8-719-911-19	DIODE 1SS133T-72	
D622	8-719-911-19	DIODE 1SS133T-72	
D623	8-719-911-19	DIODE 1SS133T-72	
D624	8-719-911-19	DIODE 1SS133T-72	
D625	8-719-911-19	DIODE 1SS133T-72	
D626	8-719-911-19	DIODE 1SS133T-72	
D627	8-719-911-19	DIODE 1SS133T-72	
D628	8-719-911-19	DIODE 1SS133T-72	
D629	8-719-911-19	DIODE 1SS133T-72	
D630	8-719-911-19	DIODE 1SS133T-72	
		< FLUORESCENT INDICATOR TUBE >	
FLD601	1-517-731-21	INDICATOR TUBE, FLUORESCENT	
		< IC >	
IC601	8-752-914-94	IC CXP82040-114Q	
IC602	8-759-234-75	IC TC74HC4094AP	
IC603	8-759-916-52	IC TC74HC165AP	
IC901	8-759-275-23	IC BU2092	
		< COIL >	
L601	1-410-517-11	INDUCTOR 47uH	
L602	1-410-517-11	INDUCTOR 47uH	
		< LED >	
LED901	8-719-921-01	LED SEL1110R (TIMER)	
LED902	8-719-812-41	LED SEL2110R (I/O)	
LED903	8-719-317-11	LED SEL1710Y (CD)	
LED904	8-719-317-11	LED SEL1710Y (TAPE A/B)	
LED905	8-719-317-11	LED SEL1710Y (TUNER/BAND)	
LED906	8-719-317-11	LED SEL1710Y (MD (VIDEO))	
LED907	8-719-317-11	LED SEL1710Y (GROOVE)	
LED908	8-719-921-01	LED SEL1110R (REC)	
LED909	8-719-317-11	LED SEL1710Y (REC PAUSE)	

Ref. No.	Part No.	Description	Remark	Ref. No.	Part No.	Description	Remark
LED910	8-719-317-11	LED SEL1710Y (DOLBY PRO LOGIC)		R645	1-247-847-11	CARBON 4.7K	5% 1/4W
LED911	8-719-317-11	LED SEL1710Y (DVD 5.1CH)		R646	1-247-847-11	CARBON 4.7K	5% 1/4W
LED912	8-719-317-11	LED SEL1710Y (DSP)		R647	1-249-424-11	CARBON 3.9K	5% 1/4W
LED913	8-719-312-70	LED SEL1410G (▷)		R648	1-249-417-11	CARBON 1K	5% 1/4W
LED914	8-719-312-70	LED SEL1410G (◁)		R649	1-249-417-11	CARBON 1K	5% 1/4W
< TRANSISTOR >				R650	1-247-863-11	CARBON 22K	5% 1/4W
Q601	8-729-194-57	TRANSISTOR 2SC945TP-P		R651	1-247-863-11	CARBON 22K	5% 1/4W
Q602	8-729-194-57	TRANSISTOR 2SC945TP-P		R652	1-247-847-11	CARBON 4.7K	5% 1/4W
Q603	8-729-194-57	TRANSISTOR 2SC945TP-P		R653	1-247-847-11	CARBON 4.7K	5% 1/4W
Q604	8-729-105-47	TRANSISTOR 2SC733		R654	1-247-847-11	CARBON 4.7K	5% 1/4W
Q608	8-729-194-57	TRANSISTOR 2SC945TP-P		R655	1-247-855-11	CARBON 10K	5% 1/4W
Q609	8-729-194-57	TRANSISTOR 2SC945TP-P		R656	1-249-417-11	CARBON 1K	5% 1/4W
Q610	8-729-194-57	TRANSISTOR 2SC945TP-P		R657	1-247-835-11	CARBON 1.5K	5% 1/4W
Q611	8-729-993-43	TRANSISTOR 2SA934R		R658	1-247-887-00	CARBON 220K	5% 1/4W
Q612	8-729-993-43	TRANSISTOR 2SA934R		R659	1-247-871-11	CARBON 47K	5% 1/4W
Q613	8-729-993-43	TRANSISTOR 2SA934R		R660	1-247-895-00	CARBON 470K	5% 1/4W
Q901	8-729-194-57	TRANSISTOR 2SC945TP-P		R661	1-247-871-11	CARBON 47K	5% 1/4W
Q902	8-729-194-57	TRANSISTOR 2SC945TP-P		R662	1-247-895-00	CARBON 470K	5% 1/4W
< RESISTOR >				R664	1-247-871-11	CARBON 47K	5% 1/4W
R601	1-247-871-11	CARBON 47K	5% 1/4W	R665	1-247-895-00	CARBON 470K	5% 1/4W
R602	1-249-417-11	CARBON 1K	5% 1/4W	R666	1-247-835-11	CARBON 1.5K	5% 1/4W
R603	1-247-871-11	CARBON 47K	5% 1/4W	R668	1-247-871-11	CARBON 47K	5% 1/4W
R604	1-249-417-11	CARBON 1K	5% 1/4W	R669	1-247-895-00	CARBON 470K	5% 1/4W
R605	1-247-871-11	CARBON 47K	5% 1/4W	R671	1-249-438-11	CARBON 56K	5% 1/4W
R606	1-249-417-11	CARBON 1K	5% 1/4W	R672	1-247-895-00	CARBON 470K	5% 1/4W
R607	1-249-431-11	CARBON 15K	5% 1/4W	R673	1-247-835-11	CARBON 1.5K	5% 1/4W
R608	1-247-871-11	CARBON 47K	5% 1/4W	R674	1-247-835-11	CARBON 1.5K	5% 1/4W
R613	1-247-855-11	CARBON 10K	5% 1/4W	R675	1-247-871-11	CARBON 47K	5% 1/4W
R615	1-247-855-11	CARBON 10K	5% 1/4W	R676	1-247-835-11	CARBON 1.5K	5% 1/4W
R616	1-247-855-11	CARBON 10K	5% 1/4W	R903	1-247-847-11	CARBON 4.7K	5% 1/4W
R617	1-247-855-11	CARBON 10K	5% 1/4W	R904	1-247-847-11	CARBON 4.7K	5% 1/4W
R618	1-247-855-11	CARBON 10K	5% 1/4W	R906	1-249-410-11	CARBON 270	5% 1/4W
R619	1-247-855-11	CARBON 10K	5% 1/4W	R907	1-249-410-11	CARBON 270	5% 1/4W
R620	1-247-855-11	CARBON 10K	5% 1/4W	R908	1-249-410-11	CARBON 270	5% 1/4W
R621	1-247-855-11	CARBON 10K	5% 1/4W	R909	1-249-410-11	CARBON 270	5% 1/4W
R622	1-247-855-11	CARBON 10K	5% 1/4W	R910	1-249-410-11	CARBON 270	5% 1/4W
R623	1-247-855-11	CARBON 10K	5% 1/4W	R911	1-249-417-11	CARBON 1K	5% 1/4W
R624	1-247-855-11	CARBON 10K	5% 1/4W	R912	1-249-413-11	CARBON 470	5% 1/4W
R625	1-247-855-11	CARBON 10K	5% 1/4W	R915	1-247-855-11	CARBON 10K	5% 1/4W
R626	1-247-855-11	CARBON 10K	5% 1/4W	R916	1-247-855-11	CARBON 10K	5% 1/4W
R630	1-249-417-11	CARBON 1K	5% 1/4W	R917	1-249-410-11	CARBON 270	5% 1/4W
R631	1-247-839-11	CARBON 2.2K	5% 1/4W	R918	1-249-410-11	CARBON 270	5% 1/4W
R632	1-247-839-11	CARBON 2.2K	5% 1/4W	R919	1-249-410-11	CARBON 270	5% 1/4W
R633	1-247-839-11	CARBON 2.2K	5% 1/4W	R920	1-249-410-11	CARBON 270	5% 1/4W
R634	1-247-847-11	CARBON 4.7K	5% 1/4W	R921	1-249-410-11	CARBON 270	5% 1/4W
R635	1-247-847-11	CARBON 4.7K	5% 1/4W	R922	1-247-827-11	CARBON 680	5% 1/4W
R636	1-247-847-11	CARBON 4.7K	5% 1/4W	R923	1-249-416-11	CARBON 820	5% 1/4W
R637	1-247-855-11	CARBON 10K	5% 1/4W	R924	1-249-418-11	CARBON 1.2K	5% 1/4W
R638	1-249-417-11	CARBON 1K	5% 1/4W	R925	1-247-835-11	CARBON 1.5K	5% 1/4W
R639	1-247-847-11	CARBON 4.7K	5% 1/4W	R926	1-247-839-11	CARBON 2.2K	5% 1/4W
R640	1-247-855-11	CARBON 10K	5% 1/4W	R927	1-247-843-11	CARBON 3.3K	5% 1/4W
R641	1-249-417-11	CARBON 1K	5% 1/4W	R928	1-247-847-11	CARBON 4.7K	5% 1/4W
R642	1-247-847-11	CARBON 4.7K	5% 1/4W	R929	1-249-428-11	CARBON 8.2K	5% 1/4W
R643	1-247-847-11	CARBON 4.7K	5% 1/4W	R930	1-249-431-11	CARBON 15K	5% 1/4W
R644	1-247-847-11	CARBON 4.7K	5% 1/4W	R931	1-249-434-11	CARBON 27K	5% 1/4W
				R932	1-247-827-11	CARBON 680	5% 1/4W
				R933	1-249-416-11	CARBON 820	5% 1/4W
				R934	1-249-418-11	CARBON 1.2K	5% 1/4W

PANEL	PHOTO SOCKET	SW A	SW B	SW C	SW D
--------------	---------------------	-------------	-------------	-------------	-------------

Ref. No.	Part No.	Description	Remark
R935	1-247-835-11	CARBON 1.5K 5%	1/4W
R936	1-247-839-11	CARBON 2.2K 5%	1/4W
R937	1-247-843-11	CARBON 3.3K 5%	1/4W
R938	1-247-847-11	CARBON 4.7K 5%	1/4W
R939	1-249-428-11	CARBON 8.2K 5%	1/4W
R940	1-249-431-11	CARBON 15K 5%	1/4W
R942	1-247-827-11	CARBON 680 5%	1/4W
R943	1-249-416-11	CARBON 820 5%	1/4W
R944	1-249-418-11	CARBON 1.2K 5%	1/4W
R945	1-247-835-11	CARBON 1.5K 5%	1/4W
R946	1-247-839-11	CARBON 2.2K 5%	1/4W
R947	1-247-843-11	CARBON 3.3K 5%	1/4W
R948	1-247-847-11	CARBON 4.7K 5%	1/4W
R949	1-249-428-11	CARBON 8.2K 5%	1/4W
R950	1-249-434-11	CARBON 27K 5%	1/4W
R955	1-249-408-11	CARBON 180 5%	1/4W
R956	1-249-408-11	CARBON 180 5%	1/4W
R606A	1-247-871-11	CARBON 47K 5%	1/4W
R618A	1-247-879-11	CARBON 100K 5%	1/4W
		< IC >	
RM601	8-749-013-84	IC SPS-447-1 (REMOTE CONTROL RECEIVER)	
		< SWITCH >	
S902	1-572-647-11	SWITCH, KEY BOARD (▶▶, +)	
S903	1-572-647-11	SWITCH, KEY BOARD (▷▷)	
S904	1-572-647-11	SWITCH, KEY BOARD (EDIT, TUNER MEMORY)	
S905	1-572-647-11	SWITCH, KEY BOARD (REPEAT, STEREO/MONO)	
S906	1-572-647-11	SWITCH, KEY BOARD (PLAY MODE, DIRECTION) (EXCEPT AEP, UK)	
S906	1-572-647-11	SWITCH, KEY BOARD (PLAY MODE, PTY/DIRECTION) (AEP, UK)	
S907	1-572-647-11	SWITCH, KEY BOARD (■)	
S908	1-572-647-11	SWITCH, KEY BOARD (<▷)	
S909	1-572-647-11	SWITCH, KEY BOARD (■)	
S910	1-572-647-11	SWITCH, KEY BOARD (-, ◀◀)	
S911	1-572-647-11	SWITCH, KEY BOARD (GROOVE)	
S912	1-572-647-11	SWITCH, KEY BOARD (FILE SELECT)	
S913	1-572-647-11	SWITCH, KEY BOARD (ENTER)	
S914	1-572-647-11	SWITCH, KEY BOARD (SPECTRUM)	
S915	1-572-647-11	SWITCH, KEY BOARD (DISPLAY)	
S917	1-572-647-11	SWITCH, KEY BOARD (I/Ⓛ)	
S918	1-572-647-11	SWITCH, KEY BOARD (▲ OPEN/CLOSE)	
S919	1-572-647-11	SWITCH, KEY BOARD (DISC 3)	
S920	1-572-647-11	SWITCH, KEY BOARD (DISC 2)	
S921	1-572-647-11	SWITCH, KEY BOARD (DISC 1)	
S922	1-572-647-11	SWITCH, KEY BOARD (DISC-SKIP EX-CHANGE)	
S923	1-572-647-11	SWITCH, KEY BOARD (TUNER/BAND)	
S924	1-572-647-11	SWITCH, KEY BOARD (CD)	
S925	1-572-647-11	SWITCH, KEY BOARD (TAPE A/B)	
S926	1-572-647-11	SWITCH, KEY BOARD (MD (VIDEO))	
S927	1-572-647-11	SWITCH, KEY BOARD (<◀)	
S931	1-572-647-11	SWITCH, KEY BOARD (REC PAUSE)	
S932	1-572-647-11	SWITCH, KEY BOARD (REC)	
S933	1-572-647-11	SWITCH, KEY BOARD (CD SYNC)	

Ref. No.	Part No.	Description	Remark
S934	1-572-647-11	SWITCH, KEY BOARD (DSP)	
S935	1-572-647-11	SWITCH, KEY BOARD (DVD 5.1CH)	
S936	1-572-647-11	SWITCH, KEY BOARD (DOLBY PRO LOGIC)	
		< VIARIABLE RESISTOR >	
SFR601	1-238-598-11	RES, ADJ, CARBON 2.2K	
		< ROTARY ENCODER >	
VR602	1-476-137-11	ENCODER, ROTARY (VOLUME)	
		< VIBRATOR >	
X601	1-567-925-11	VIBRATOR, CRYSTAL (10MHz)	

	A-4473-612-A	PHOTO SOCKET BOARD, COMPLETE	

		< CAPACITOR >	
C710A	1-164-159-11	CERAMIC 0.1uF	50V
		< CONNECTOR >	
* CN703	1-564-705-11	PIN, CONNECTOR (SMALL TYPE) 3P	
		< IC >	
PH701	8-749-923-04	IC TOTX178A (CD DIGITAL OUT (OPTICAL))	

	1-674-788-11	SW A BOARD	

		< SWITCH >	
S04	1-771-169-11	SWITCH (TURN TABLE OPERATION DETECT)	

	1-674-789-11	SW B BOARD	

S03	1-771-169-11	SWITCH (TURN TABLE POSITION DETECT)	

	1-674-790-11	SW C BOARD	

S02	1-571-300-31	SWITCH, ROTARY (OPEN/CLOSE DETECT)	

	1-674-791-11	SW D BOARD	

S01	1-571-300-31	SWITCH, ROTARY (OPTICAL PICK-UP UP/DOWN SETECT)	

Ref. No.	Part No.	Description	Remark
		MISCELLANEOUS *****	
56	1-792-850-11	WIRE (FLAT TYPE) (16 CORE)	
69	1-769-273-11	WIRE (FLAT TYPE) (22 CORE)	
72	1-772-164-11	DECK, MECH (CWL-44-RR)	
△111	1-783-531-51	CORD, POWER (US, CND)	
251	1-769-856-11	WIRE (FLAT TYPE) (5 CORE)	
255	1-775-133-11	WIRE (FLAT TYPE) (15 CORE)	
△305	1-796-266-11	OPTICAL PICK-UP	
CN702	1-564-722-11	PIN, CONNECTOR (SMALL TYPE) 6P	
M101	1-541-352-12	MOTOR (SPINDLE)	
M102	1-541-353-12	MOTOR (SLED)	
M103	X-4948-765-1	MOTOR ASSY (DISC TABLE TURN)	
M104	X-4948-766-1	MOTOR ASSY (A) (DISC TRAY SLIDE)	
M505	1-763-410-11	FAN, DC	
S05	1-572-085-11	SWITCH, LEAF (LIMIT)	
△T001	1-435-714-11	TRANSFORMER, POWER (US, CND)	

HARDWARE LIST

#1	7-685-246-19	SCREW +KTP 3X8 TYPE2 SLIT
#2	7-685-648-14	SCREW +BVTP 3X12 TYPE2 N-S
#3	7-685-903-31	SCREW +PTPWH 3X10 (TYPE2)
#4	7-682-904-11	SCREW +PWH 4X8
#5	7-685-647-79	SCREW +BVTP 3X10 TYPE2 N-S
#6	7-685-648-79	SCREW +BVTP 3X12 TYPE2 TT(B)
#8	7-685-533-19	SCREW +BTP 2.6X6 TYPE2 N-S
#9	7-685-131-19	SCREW +BTP 2.6X4 TYPE2 N-S
#10	7-685-534-19	SCREW +BTP 2.6X8 TYPE2 N-S
#11	7-685-902-21	SCREW +PTPWH 2.6X8 (TYPE2)
#12	7-624-118-01	RING, RETAINING E-2.5
#13	7-685-903-21	SCREW +PTPWH 3X8 (TYPE2)
#14	7-685-535-19	SCREW +BTP 2.6X10 TYPE2 N-S
#15	7-685-547-19	SCREW +BTP 3X10 TYPE2 N-S
#16	7-685-645-79	SCREW +BVTP 3X6 TYPE2 SLIT
#17	7-685-646-79	SCREW +BVTP 3X8 TYPE2 N-S
#18	7-685-647-14	SCREW +BVTP 3X10 TYPE2 N-S
#19	7-685-902-11	SCREW +PWH 2.6X6
#20	7-685-132-19	SCREW +BTP 2.6X5 TYPE2 N-S
#21	7-685-660-79	SCREW +PTPWH 4X10 TYPE 2
#22	7-685-661-79	SCREW +BVTP 4X12 TYPE2 N-S
#23	7-685-649-79	SCREW +BVTP 3X14 TYPE2 SLIT

The components identified by mark △ or dotted line with mark △ are critical for safety. Replace only with part number specified.

Les composants identifiés par une marque △ sont critiques pour la sécurité. Ne les remplacer que par une pièce portant le numéro spécifié.

MEMO

HCD-BX6AV/DX6AV

SONY®

SERVICE MANUAL

US Model
Canadian Model
AEP Model
UK Model
HCD-BX6AV
E Model
Australian Model
HCD-DX6AV

SUPPLEMENT-1

File this supplement with the service manual.

Subject: Addition and Change of Information

HCD-BX6AV/DX6AV

• PRINTED WIRING BOARD

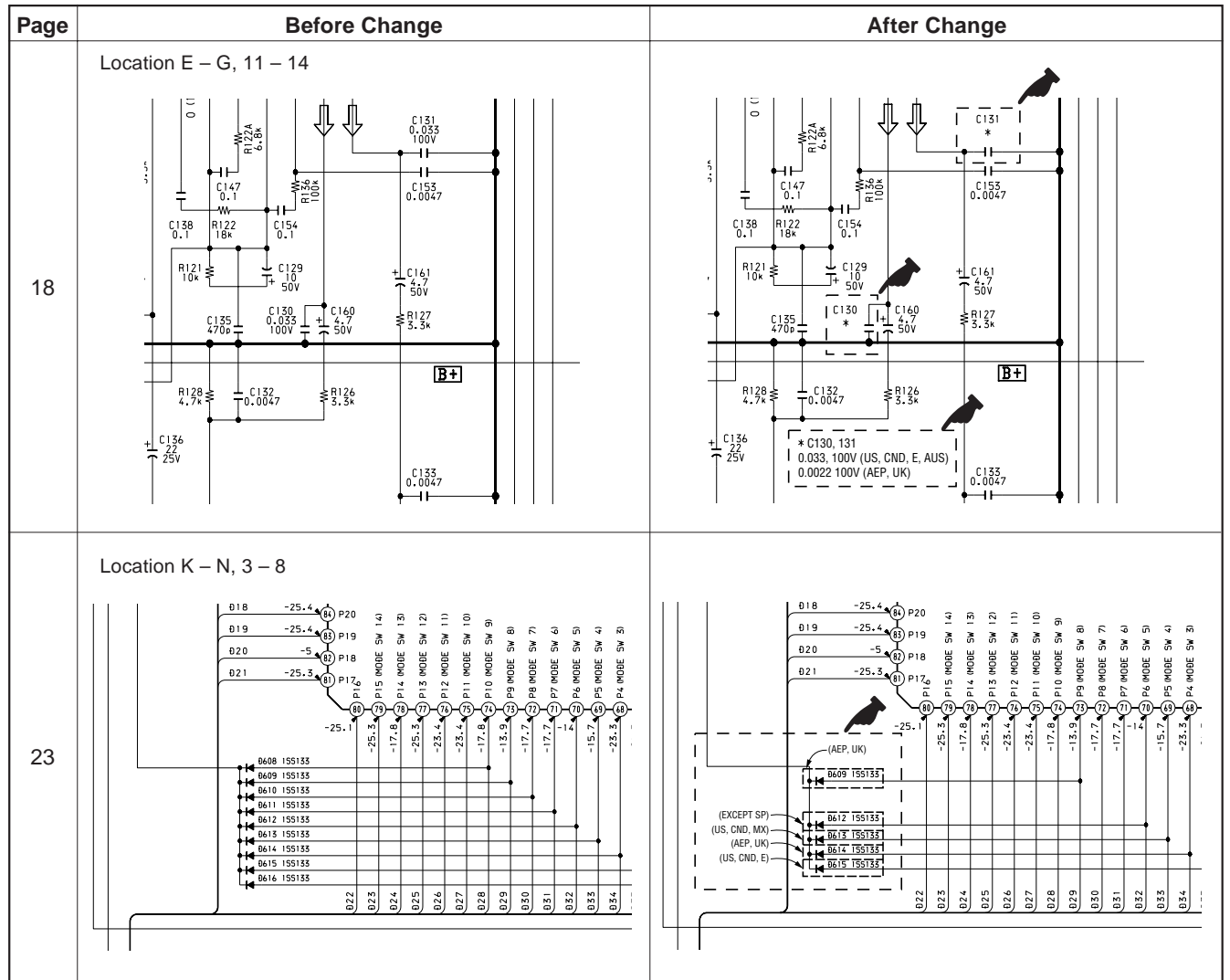
➔ : Indicates changed portion.

Page	Before Change	After Change
22	<p>Location A – C, 5 – 8</p>	<p>Location A – C, 5 – 8</p>
24	<p>Location B – F, 10 – 13</p>	<p>Location B – F, 10 – 13</p>

• Abbreviation
 CND : Canadian model MX : Mexican model SP : Singapore model

• SCHEMATIC DIAGRAM

➤ : Indicates changed portion.



• Abbreviation

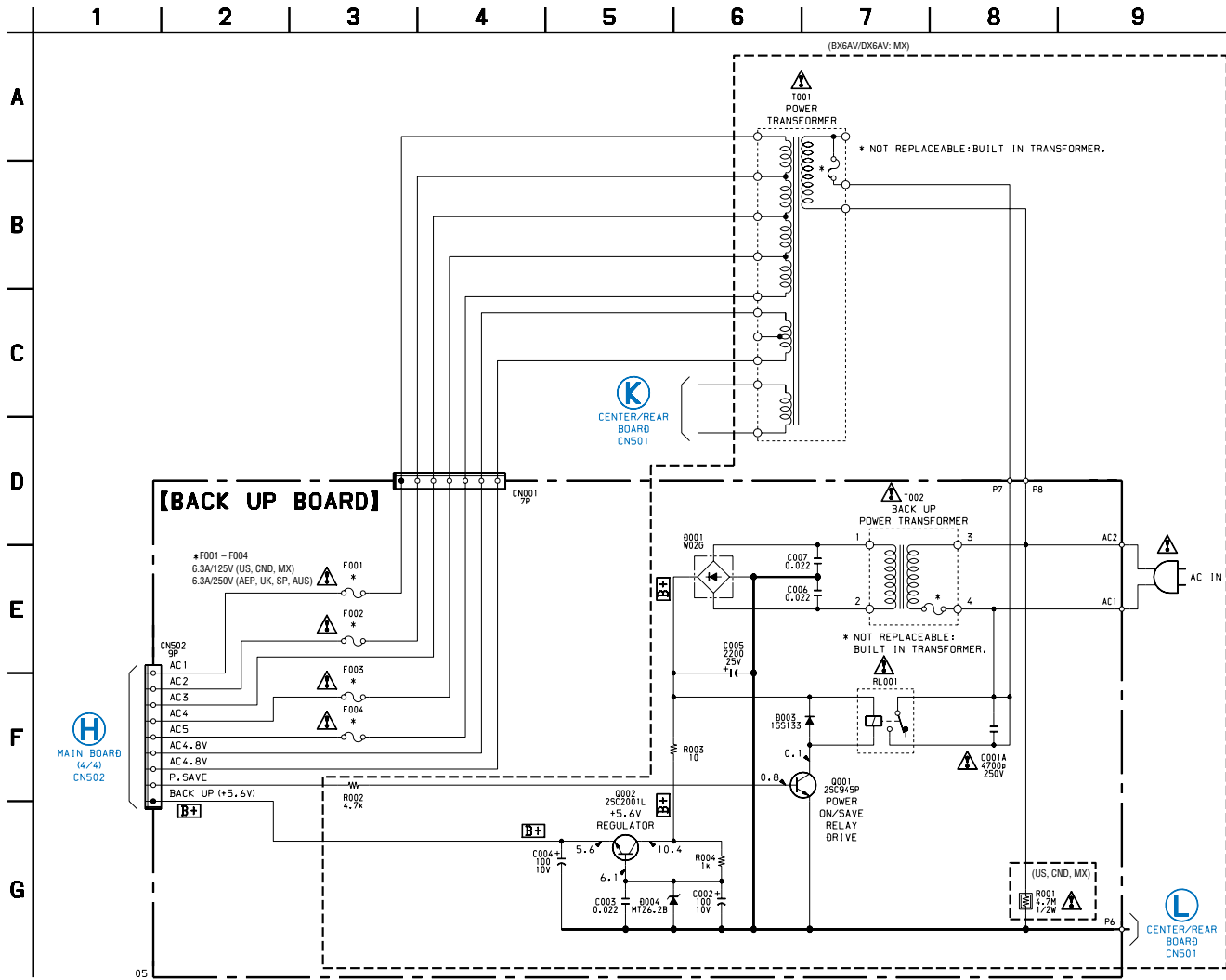
AUS : Australian model

CND : Canadian model

MX : Mexican model

SP : Singapore model

SCHEMATIC DIAGRAM – POWER SUPPLY Section –

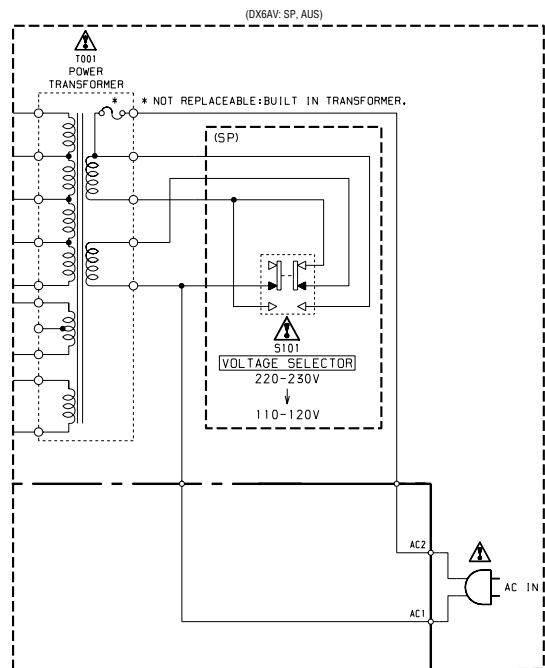


Note on Schematic Diagram:

- All capacitors are in μF unless otherwise noted. U: μF , pF: μpF 50 WV or less are not indicated except for electrolytics and tantalums.
- All resistors are in Ω and $1/4\text{ W}$ or less unless otherwise specified.
- : nonflammable resistor.

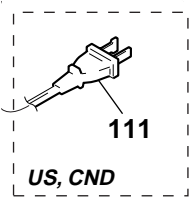
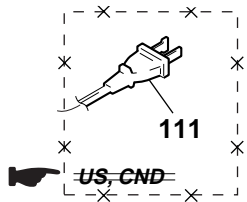
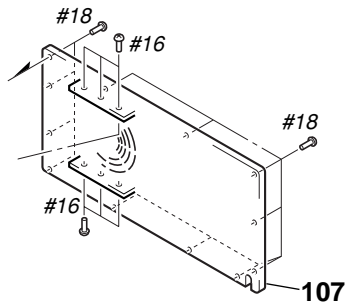
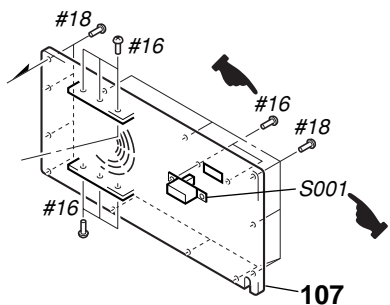
<p>Note: The components identified by mark \triangle or dotted line with mark \triangle are critical for safety. Replace only with part number specified.</p>	<p>Note: Les composants identifiés par une marque \triangle sont critiques pour la sécurité. Ne les remplacer que par une pièce portant le numéro spécifié.</p>
--	---

- : B+ Line.
- Voltages are dc with respect to ground under no-signal (detuned) conditions.
no mark : FM
- Voltages are taken with a VOM (Input impedance $10\text{ M}\Omega$). Voltage variations may be noted due to normal production tolerances.
- Abbreviation
 AUS : Australian model
 CND : Canadian model
 MX : Mexican model
 SP : Singapore model



• EXPLODED VIEWS

 : Indicates changed portion.

Page	Before Change				After Change			
	Ref. No.	Part No.	Description	Remark	Ref. No.	Part No.	Description	Remark
33	3	4-230-489-01	DOOR, CD		3	4-230-489-01	DOOR, CD (BX6AV)	
	3	4-231-415-01	DOOR, CD (DX6AV)		3	4-231-415-01	DOOR, CD (DX6AV)	
34	9	A-4475-116-A	MAIN BOARD, COMPLETE (US, CND)		9	A-4475-116-A	MAIN BOARD, COMPLETE (US, CND, E, AUS)	
	9	A-4475-340-A	MAIN BOARD, COMPLETE (AEP, UK)		9	A-4475-340-A	MAIN BOARD, COMPLETE (AEP, UK)	
35	68	A-4424-891-A	PANEL BOARD, COMPLETE		68	A-4424-891-A	PANEL BOARD, COMPLETE (US, CND, MX)	
	68	A-4424-963-A	PANEL BOARD, COMPLETE		68	A-4424-963-A	PANEL BOARD, COMPLETE (AEP, UK)	
35	68	A-4475-347-A	PANEL BOARD, COMPLETE (SP)		68	A-4475-347-A	PANEL BOARD, COMPLETE (SP)	
	68	A-4475-349-A	PANEL BOARD, COMPLETE (AUS)		68	A-4475-349-A	PANEL BOARD, COMPLETE (AUS)	
35	77	4-230-490-01	WINDOW, DISPLAY		77	4-230-490-01	WINDOW, DISPLAY (US, CND, E, AUS)	
	77	4-231-380-01	WINDOW, DISPLAY		77	4-231-380-01	WINDOW, DISPLAY (AEP, UK)	
35	102	A-4475-115-A	BACK UP BOARD, COMPLETE (US, CND)		102	A-4475-115-A	BACK UP BOARD, COMPLETE (US, CND, MX)	
	102	A-4475-337-A	BACK UP BOARD, COMPLETE (AEP, UK)		102	A-4475-337-A	BACK UP BOARD, COMPLETE (AEP, UK)	
35	102	A-4475-346-A	BACK UP BOARD, COMPLETE (SP, AUS)		102	A-4475-346-A	BACK UP BOARD, COMPLETE (SP, AUS)	
	103	4-230-504-01	CABINET, BOTTOM		103	4-230-504-01	CABINET, BOTTOM (US, CND, MX)	
35	103	4-231-381-01	CABINET, BOTTOM		103	4-231-381-01	CABINET, BOTTOM (AEP, UK)	
	103	4-231-416-01	CABINET, BOTTOM (SP)		103	4-231-416-01	CABINET, BOTTOM (SP)	
35	103	4-231-417-01	CABINET, BOTTOM (AUS)		103	4-231-417-01	CABINET, BOTTOM (AUS)	
	107	4-230-505-01	COVER, REAR		107	4-230-505-01	COVER, REAR (US, CND, E, AUS)	
35	107	4-231-382-01	COVER, REAR		107	4-231-382-01	COVER, REAR (AEP, UK)	
	108	A-4475-114-A	CENTER/REAR BOARD, COMPLETE (US, CND)		108	A-4475-114-A	CENTER/REAR BOARD, COMPLETE	
35	△ T001	1-435-714-11	TRANSFORMER, POWER (US, CND)		△ 111	1-555-795-00	CORD, POWER (AEP, SP)	
	△ T001	1-435-715-11	TRANSFORMER, POWER (AEP, UK)		△ 111	1-558-943-41	CORD, POWER (MX)	
35	△ T001	1-435-717-11	TRANSFORMER, POWER (SP, AUS)		△ 111	1-696-570-21	CORD, POWER (UK)	
					△ 111	1-696-845-11	CORD, POWER (AUS)	
35					△ S001	1-771-991-11	SLIDE, SW (VOLTAGE SELECTOR) (SP)	
					△ T001	1-435-714-11	TRANSFORMER, POWER (US, CND, MX)	
35					△ T001	1-435-715-11	TRANSFORMER, POWER (AEP, UK)	
					△ T001	1-435-717-11	TRANSFORMER, POWER (SP, AUS)	
35								
								

• Abbreviation

AUS : Australian model

CND : Canadian model

MX : Mexican model

SP : Singapore model

The components identified by mark \triangle or dotted line with mark \triangle are critical for safety. Replace only with part number specified.

Les composants identifiés par une marque \triangle sont critiques pour la sécurité. Ne les remplacer que par une pièce portant le numéro spécifié.

BACK UP

• ELECTRICAL PARTS LIST

NOTE:

- Due to standardization, replacements in the parts list may be different from the parts specified in the diagrams or the components used on the set.
- -XX and -X mean standardized parts, so they may have some difference from the original one.
- RESISTORS
All resistors are in ohms.
METAL: Metal-film resistor.
METAL OXIDE: Metal oxide-film resistor.
F: nonflammable
- Abbreviation
AUS : Australian model MX : Mexican model
CND : Canadian model SP : Singapore model

- Items marked “*” are not stocked since they are seldom required for routine service. Some delay should be anticipated when ordering these items.
- SEMICONDUCTORS
In each case, u: μ , for example:
uA. . : μ A. . uPA. . : μ PA. .
uPB. . : μ PB. . uPC. . : μ PC. .
uPD. . : μ PD. .
- CAPACITORS
uF: μ F
- COILS
uH: μ H

The components identified by mark Δ or dotted line with mark Δ are critical for safety. Replace only with part number specified.

Les composants identifiés par une marque Δ sont critiques pour la sécurité. Ne les remplacer que par une pièce portant le numéro spécifié.

When indicating parts by reference number, please include the board.

Ref. No.	Part No.	Description	Remark	Ref. No.	Part No.	Description	Remark
	A-4475-115-A	BACK UP BOARD, COMPLETE (US, CND, MX)					
	A-4475-337-A	BACK UP BOARD, COMPLETE (AEP, UK)				< RESISTOR >	
	A-4475-346-A	BACK UP BOARD, COMPLETE (SP, AUS)					

*	1-533-213-31	HOLDER, FUSE		Δ R001	1-219-238-11	SOLID 4.7M 20% 1/2W F	(US, CND, MX)
		< CAPACITOR >		R002	1-247-847-11	CARBON 4.7K 5% 1/4W	(BX6AV/DX6AV: MX)
C002	1-104-665-11	ELECT 100uF 20% 10V	(BX6AV/DX6AV: MX)	R003	1-247-688-11	CARBON 10 5% 1/4W	(BX6AV/DX6AV: MX)
C003	1-161-494-00	CERAMIC 0.022uF 25V	(BX6AV/DX6AV: MX)	R004	1-249-417-11	CARBON 1K 5% 1/4W	(BX6AV/DX6AV: MX)
C004	1-104-665-11	ELECT 100uF 20% 10V	(BX6AV/DX6AV: MX)			< RELAY >	
C005	1-126-943-11	ELECT 2200uF 20% 25V	(BX6AV/DX6AV: MX)	Δ RL001	1-515-999-11	RELAY, POWER (BX6AV/DX6AV: MX)	
C006	1-161-494-00	CERAMIC 0.022uF 25V	(BX6AV/DX6AV: MX)			< TRANSFORMER >	
C007	1-161-494-00	CERAMIC 0.022uF 25V	(BX6AV/DX6AV: MX)	Δ T002	1-435-612-11	TRANSFORMER, POWER (US, CND, MX)	
Δ C001A	1-113-924-11	CERAMIC 0.0047uF 20% 250V	(BX6AV/DX6AV: MX)	Δ T002	1-435-629-11	TRANSFORMER, POWER (AEP, UK)	
		< CONNECTOR >				*****	
CN001	1-564-510-11	PLUG, CONNECTOR 7P					
		< DIODE >					
D001	8-719-067-67	DIODE W02G (BX6AV/DX6AV: MX)					
D003	8-719-911-19	DIODE 1SS133T-72 (BX6AV/DX6AV: MX)					
D004	8-719-010-44	DIODE UZ-6.2BS (BX6AV/DX6AV: MX)					
		< FUSE >					
Δ F001	1-532-506-31	FUSE (6.3A/250V) (AEP, UK, SP, AUS)					
Δ F001	1-576-193-11	FUSE (6.3A/125V) (US, CND, MX)					
Δ F002	1-532-506-31	FUSE (6.3A/250V) (AEP, UK, SP, AUS)					
Δ F002	1-576-193-11	FUSE (6.3A/125V) (US, CND, MX)					
Δ F003	1-532-506-31	FUSE (6.3A/250V) (AEP, UK, SP, AUS)					
Δ F003	1-576-193-11	FUSE (6.3A/125V) (US, CND, MX)					
Δ F004	1-532-506-31	FUSE (6.3A/250V) (AEP, UK, SP, AUS)					
Δ F004	1-576-193-11	FUSE (6.3A/125V) (US, CND, MX)					
		< TRANSISTOR >					
Q001	8-729-194-57	TRANSISTOR 2SC945TP-P	(BX6AV/DX6AV: MX)				
Q002	8-729-142-46	TRANSISTOR 2SC2001-L	(BX6AV/DX6AV: MX)				

Page	Before Change					After Change					
	Ref. No.	Part No.	Description	Remark		Ref. No.	Part No.	Description	Remark		
39		A-4475-114-A	CENTER/REAR BOARD, COMPLETE	(US, CND)			A-4475-114-A	CENTER/REAR BOARD, COMPLETE			
40	△F501	1-576-104-11	FUSE (2A/250V)			△F501	1-532-388-31	FUSE (2A/250V) (AEP, UK, SP, AUS)			
						△F501	1-576-104-11	FUSE (2A/250V) (US, CND, MX)			
43		A-4475-116-A	MAIN BOARD, COMPLETE	(US, CND)			A-4475-116-A	MAIN BOARD, COMPLETE	(US, CND, E, AUS)		
							A-4475-340-A	MAIN BOARD, COMPLETE	(AEP, UK)		
44	C130	1-137-352-11	MYLAR	0.033uF	5% 100V	C130	1-137-352-11	MYLAR	0.033uF	5% 100V (US, CND, E, AUS)	
						C130	1-137-389-11	MYLAR	0.0022uF	5% 100V (AEP, UK)	
	C131	1-137-352-11	MYLAR	0.033uF	5% 100V	C131	1-137-352-11	MYLAR	0.033uF	5% 100V (US, CND, E, AUS)	
						C131	1-137-389-11	MYLAR	0.0022uF	5% 100V (AEP, UK)	
45						C103A	1-102-518-11	CERAMIC	33PF	5% 50V (AEP, UK)	
						C104A	1-102-518-11	CERAMIC	33PF	5% 50V (AEP, UK)	
						C105A	1-104-664-11	ELECT	47uF	20% 10V (AEP, UK)	
						C106A	1-104-664-11	ELECT	47uF	20% 10V (AEP, UK)	
						C107A	1-126-962-11	ELECT	3.3uF	20% 50V (AEP, UK)	
46	CF102	1-579-568-11	FILTER, CERAMIC (10.7MHz)			CF102	1-567-390-11	FILTER, CERAMIC (10.7MHz) (AEP, UK)			
						CF102	1-579-568-11	FILTER, CERAMIC (10.7MHz) (US, CND, E, AUS)			
	FE101	1-693-469-11	FRONT END			* CN101A1	1-564-704-11	PIN, CONNECTOR (SMALL TYPE) 2P (AEP, UK)			
						FE101	1-693-422-11	FRONT END (AEP, UK)			
					FE101	1-693-469-11	FRONT END (US, CND, E, AUS)				
	JK101	1-694-092-21	TERMINAL BOARD (ANTENNA)			IC101A	8-759-560-51	IC BU1924F (AEP, UK)			
						JK101	1-694-092-21	TERMINAL BOARD (ANTENNA) (US, CND, E, AUS)			
						JK101	1-694-126-11	TERMINAL BOARD (ANTENNA) (AEP, UK)			
47						L101A	1-412-507-11	INDUCTOR	47uH	(AEP, UK)	
49						R101A	1-247-807-11	CARBON	100	5% 1/4W (AEP, UK)	
						R103A	1-247-807-11	CARBON	100	5% 1/4W (AEP, UK)	
						R104A	1-247-807-11	CARBON	100	5% 1/4W (AEP, UK)	
						X101A	1-579-242-11	VIBRATOR, CRYSTAL (4.332MHz)	(AEP, UK)		
50		A-4424-891-A	PANEL BOARD, COMPLETE				A-4424-891-A	PANEL BOARD, COMPLETE (US, CND, MX)			
							A-4424-963-A	PANEL BOARD, COMPLETE (AEP, UK)			
							A-4475-347-A	PANEL BOARD, COMPLETE (SP)			
							A-4475-349-A	PANEL BOARD, COMPLETE (AUS)			
		D612	8-719-911-19	DIODE 1SS133T-72			D609	8-719-911-19	DIODE 1SS133T-72 (AEP, UK)		
		D613	8-719-911-19	DIODE 1SS133T-72 (US, CND)			D612	8-719-911-19	DIODE 1SS133T-72 (EXCEPT SP)		
						D613	8-719-911-19	DIODE 1SS133T-72 (US, CND, MX)			
						D614	8-719-911-19	DIODE 1SS133T-72 (AEP, UK)			
	D615	8-719-911-19	DIODE 1SS133T-72 (US, CND)			D615	8-719-911-19	DIODE 1SS133T-72 (US, CND, E)			

The components identified by mark △ or dotted line with mark △ are critical for safety. Replace only with part number specified.

Les composants identifiés par une marque △ sont critiques pour la sécurité. Ne les remplacer que par une pièce portant le numéro spécifié.

Page	Before Change				After Change			
	Ref. No.	Part No.	Description	Remark	Ref. No.	Part No.	Description	Remark
53			MISCELLANEOUS *****				MISCELLANEOUS *****	
			_____		△ 111	1-555-795-00	CORD, POWER (AEP, SP)	
			_____		△ 111	1-558-943-41	CORD, POWER (MX)	
			_____		△ 111	1-696-570-21	CORD, POWER (UK)	
			_____		△ 111	1-696-845-11	CORD, POWER (AUS)	
			_____		△ S001	1-771-991-11	SLIDE, SW (VOLTAGE SELECTOR) (SP)	
		△ T001	1-435-714-11	TRANSFORMER, POWER (US, CND)	△ T001	1-435-714-11	TRANSFORMER, POWER (US, CND, MX)	
			_____		△ T001	1-435-715-11	TRANSFORMER, POWER (AEP, UK)	
			_____		△ T001	1-435-717-11	TRANSFORMER, POWER (SP, AUS)	

<p>The components identified by mark △ or dotted line with mark △ are critical for safety. Replace only with part number specified.</p>	<p>Les composants identifiés par une marque △ sont critiques pour la sécurité. Ne les remplacer que par une pièce portant le numéro spécifié.</p>
---	---

MEMO

